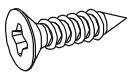


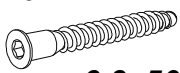

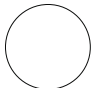
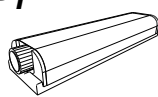
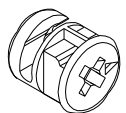

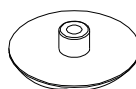

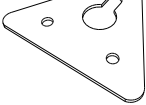

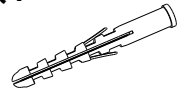
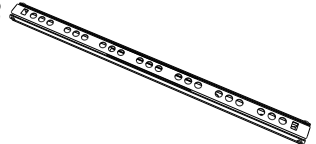
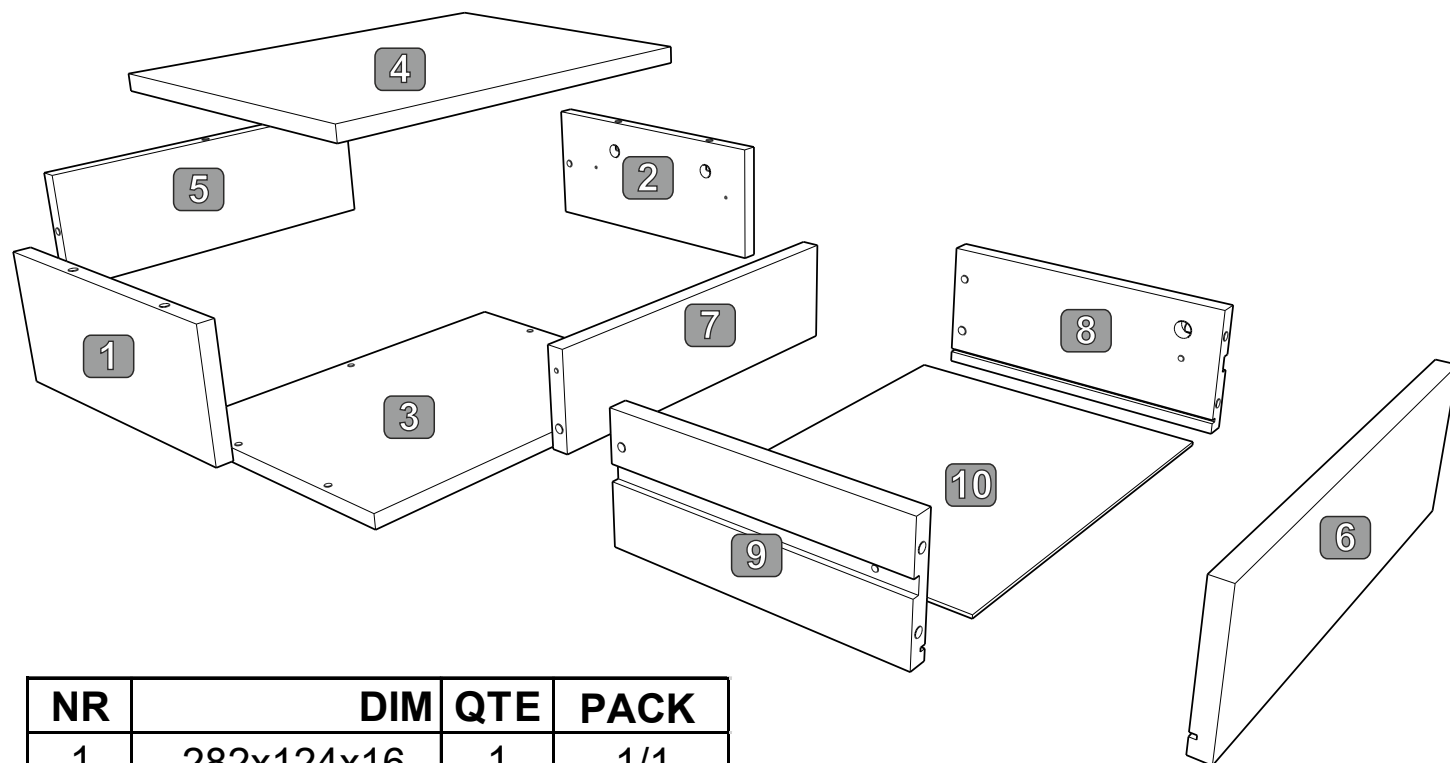


<b>W1</b>  8x $\varnothing 3 \times 16$	<b>W4</b>  2x $\varnothing 4 \times 16$	<b>K1</b>  6x $\varnothing 8 \times 35$
<b>W6</b>  7x $\varnothing 6.3 \times 50$	<b>G1</b>  5x	<b>ZW1</b>  7x
<b>TP1</b>  1x	<b>M1</b>  7x	<b>M4</b>  7x
<b>ZM1</b>  7x	<b>W2</b>  $\varnothing 4 \times 12$ 2x	<b>B2</b>  2x
<b>Q3</b>  2x	<b>Q4</b>  2x	
<b>P7AB</b>  2x		

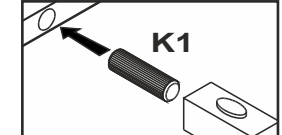
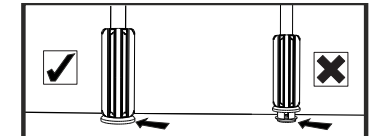
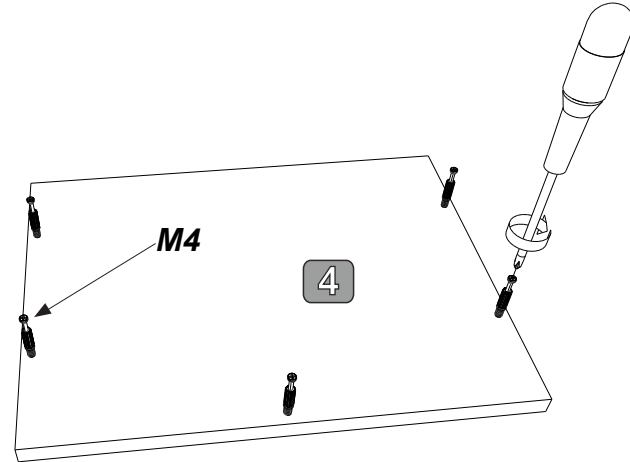
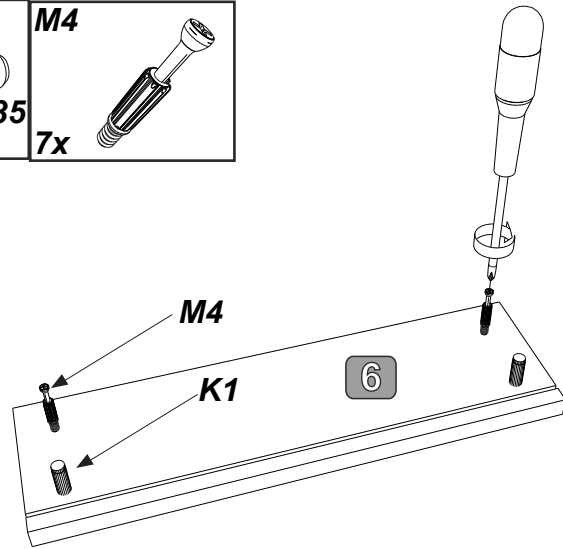
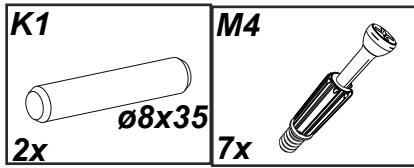


NR	DIM	QTE	PACK
1	282x124x16	1	1/1
2	282x124x16	1	1/1
3	402x302x16	1	1/1
4	402x302x16	1	1/1
5	368x124x16	1	1/1
6	400x120x16	1	1/1
7	329x90x16	1	1/1
8	255x110x16	1	1/1
9	255x110x16	1	1/1
10	337x258x3	1	1/1

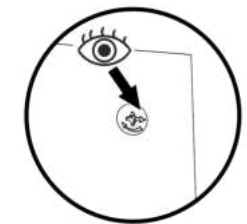
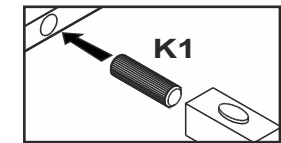
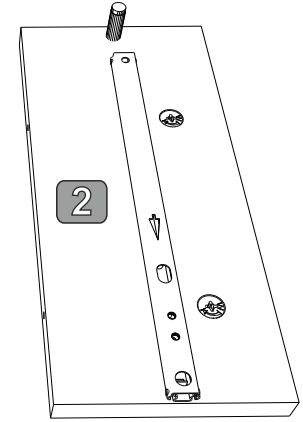
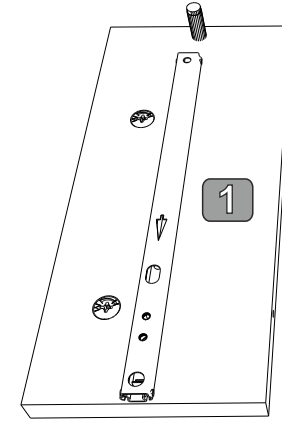
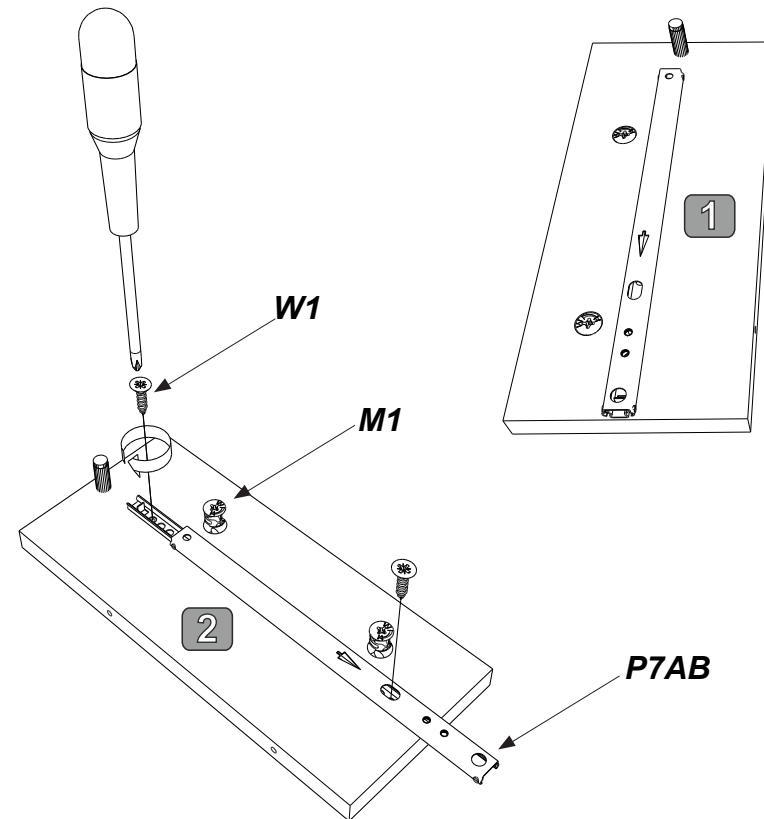
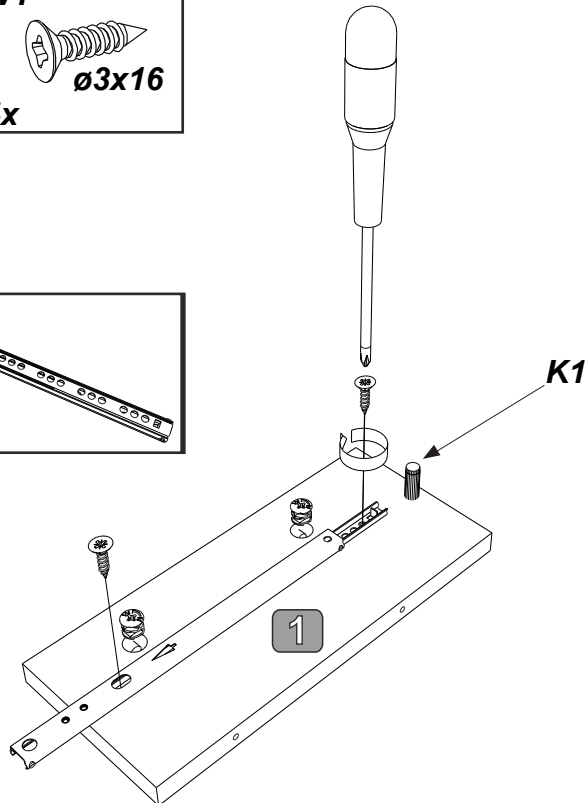
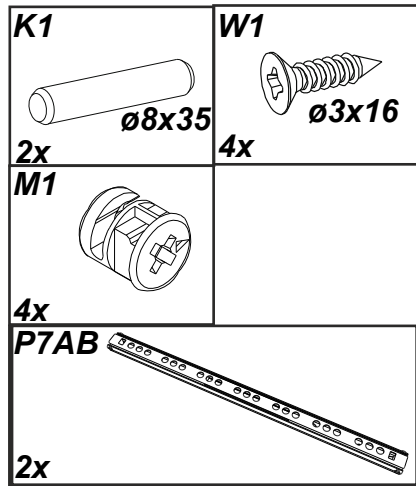
0 10 20 30 40 50 60 70 80 90 100 110 120 130 140 150 160 170 180 190 200



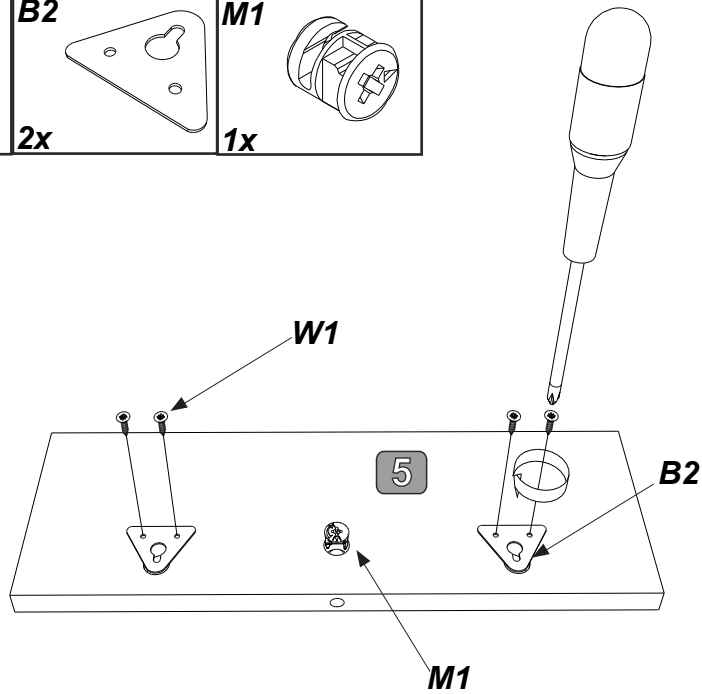
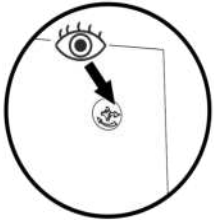
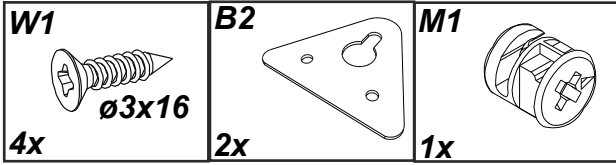
1



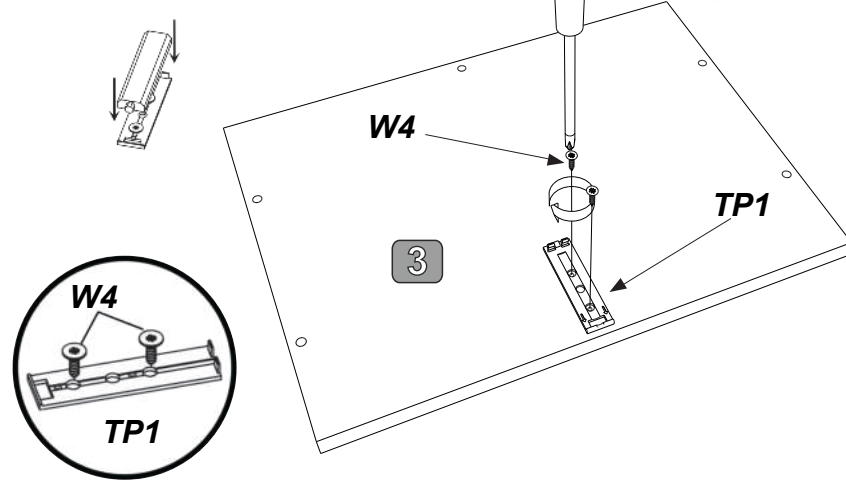
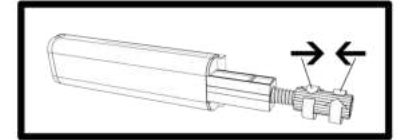
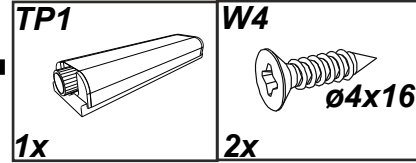
2



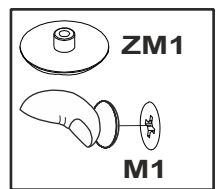
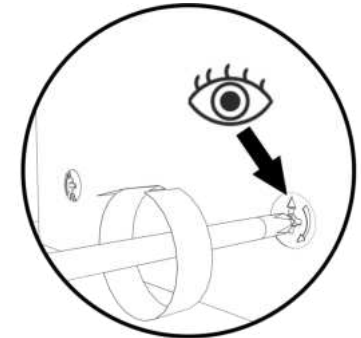
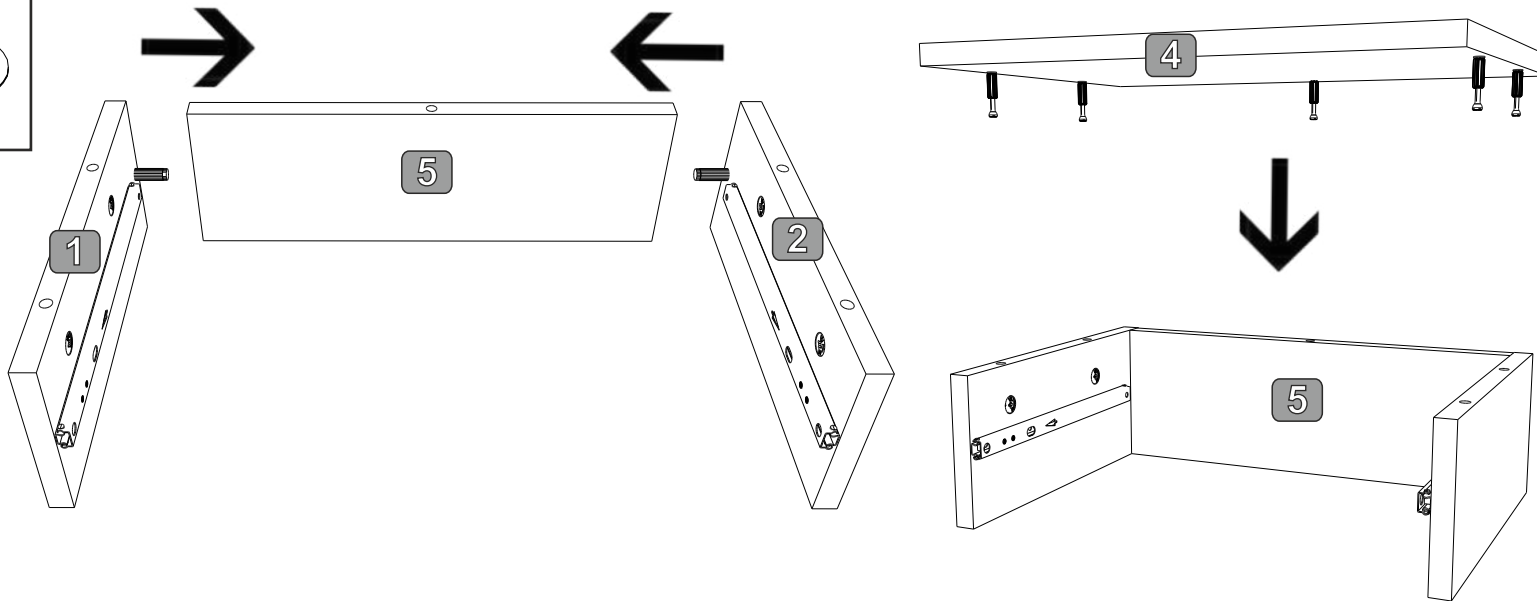
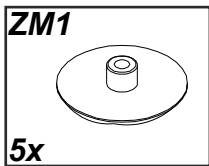
3



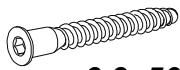
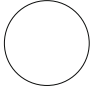
4

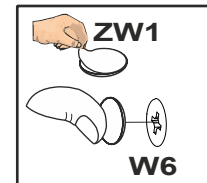
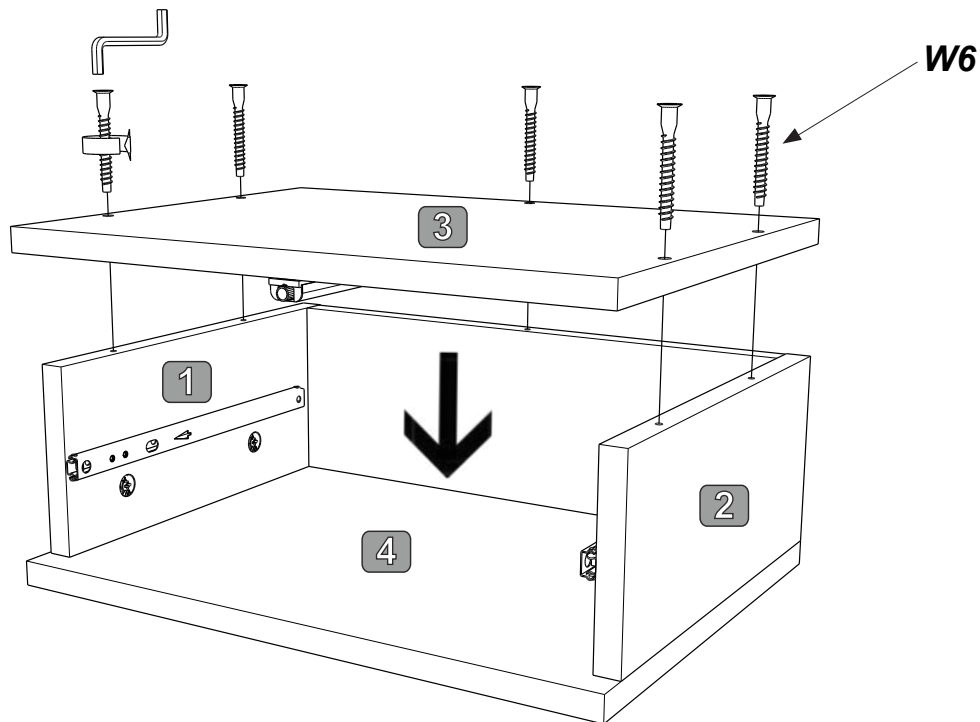


5


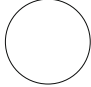

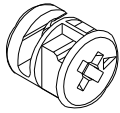


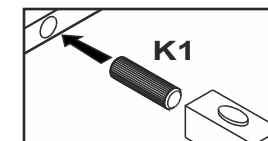
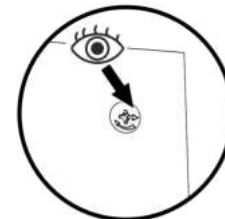
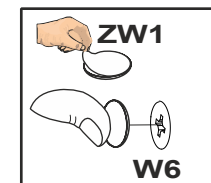
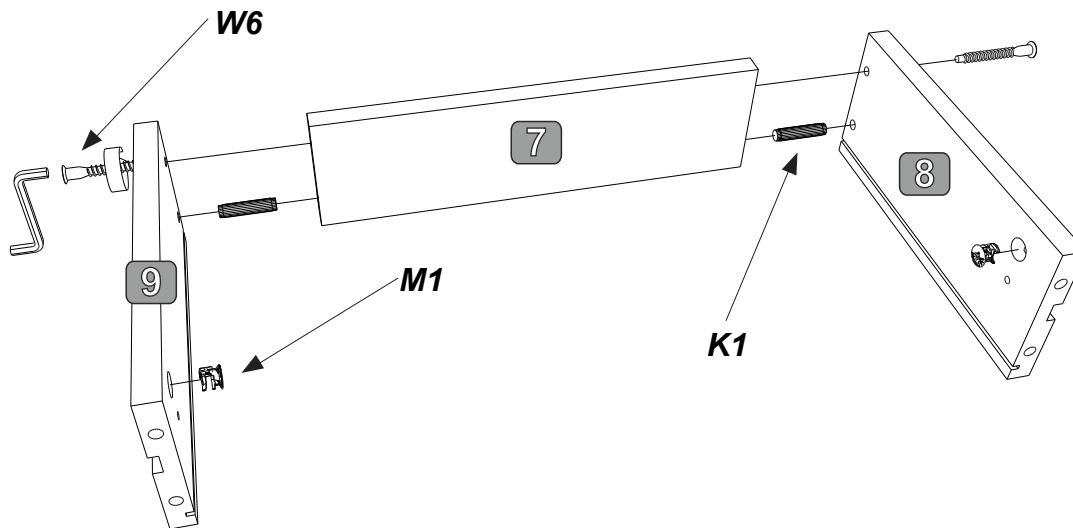
6

W6  5x ø6.3x50	ZW1  5x
--	--

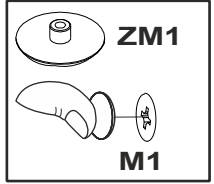
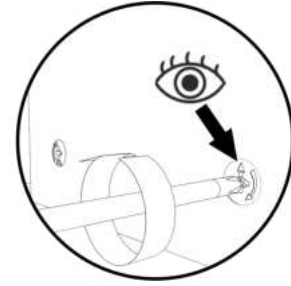
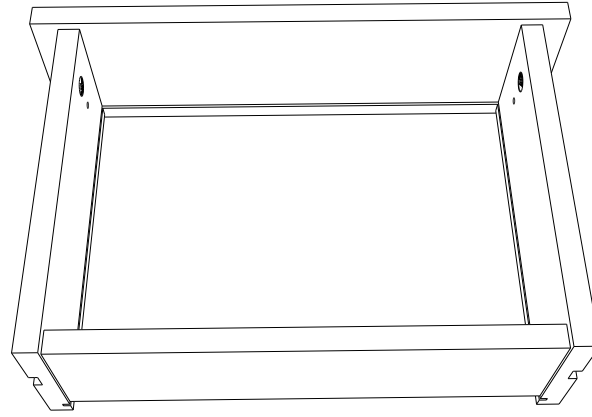
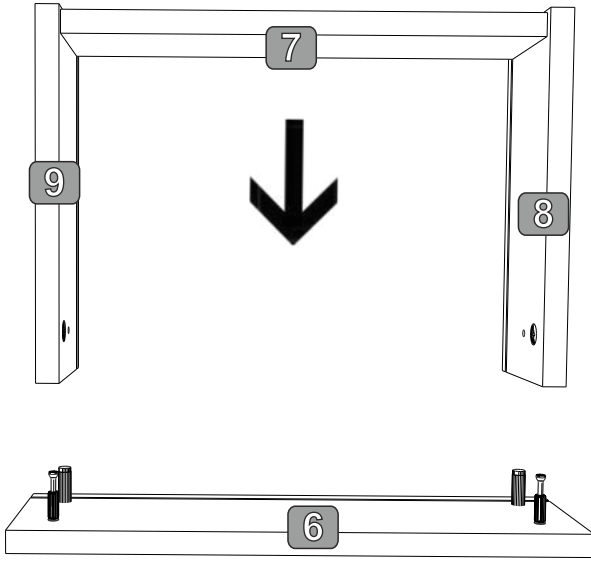
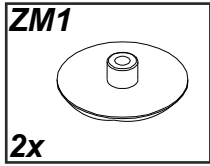


7

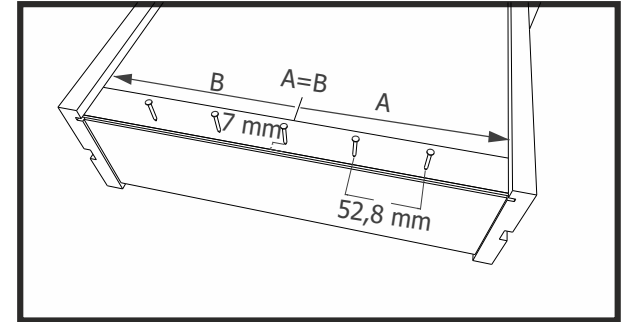
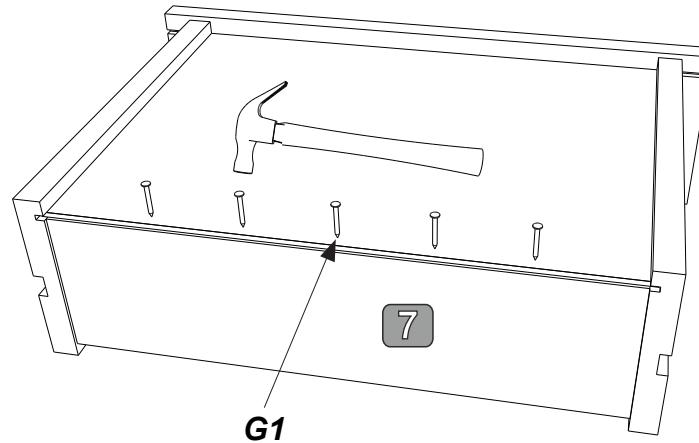
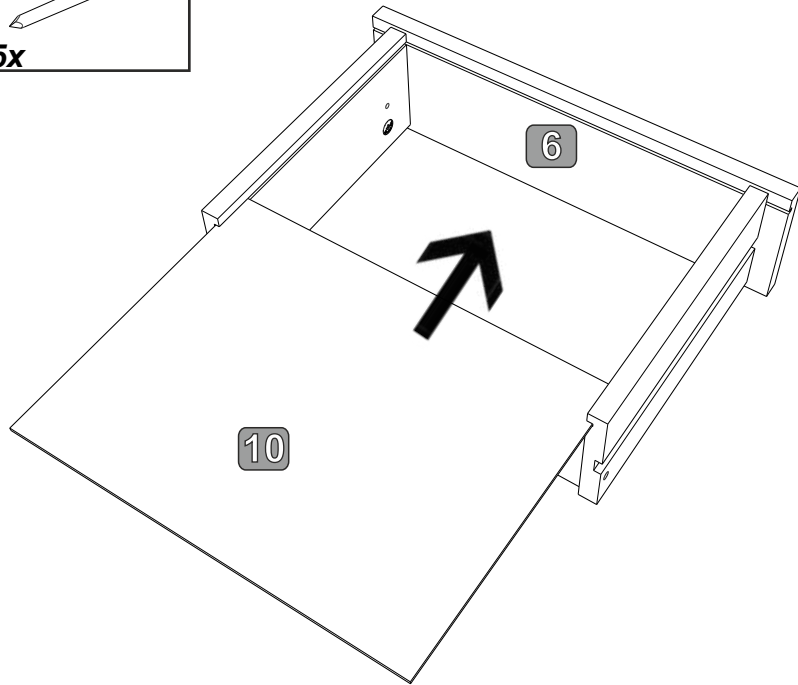
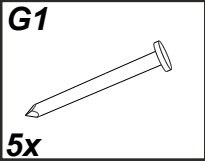
W6  2x ø6.3x50	ZW1  2x
K1  2x ø8x35	M1  2x



8

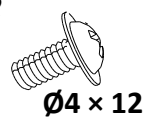


9

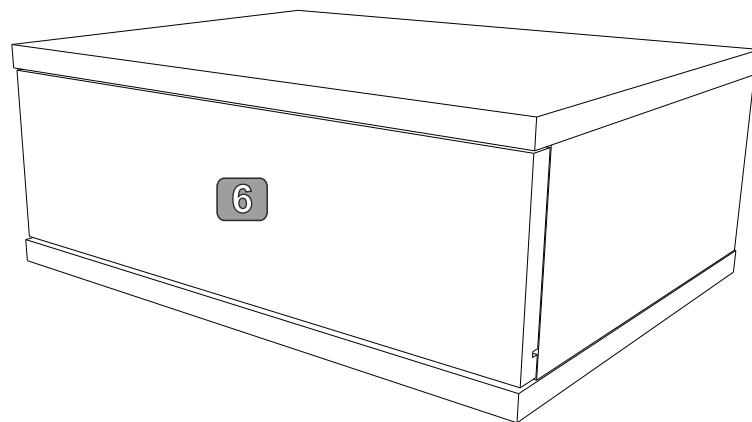
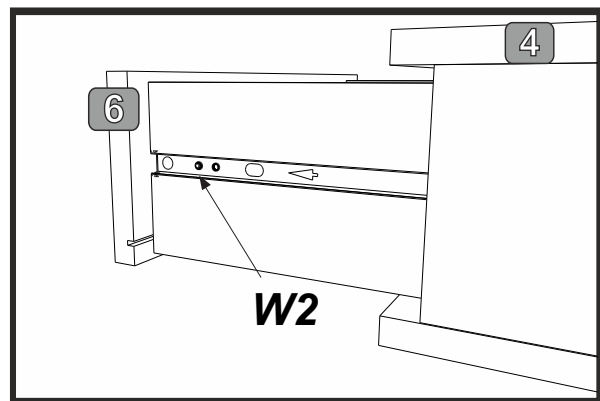
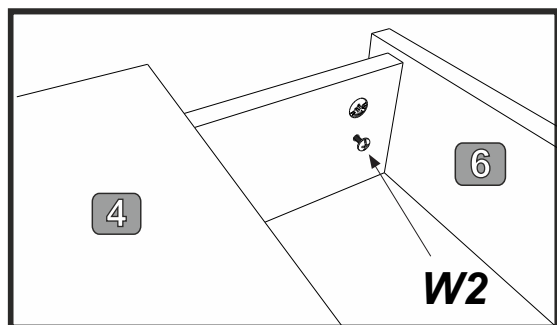
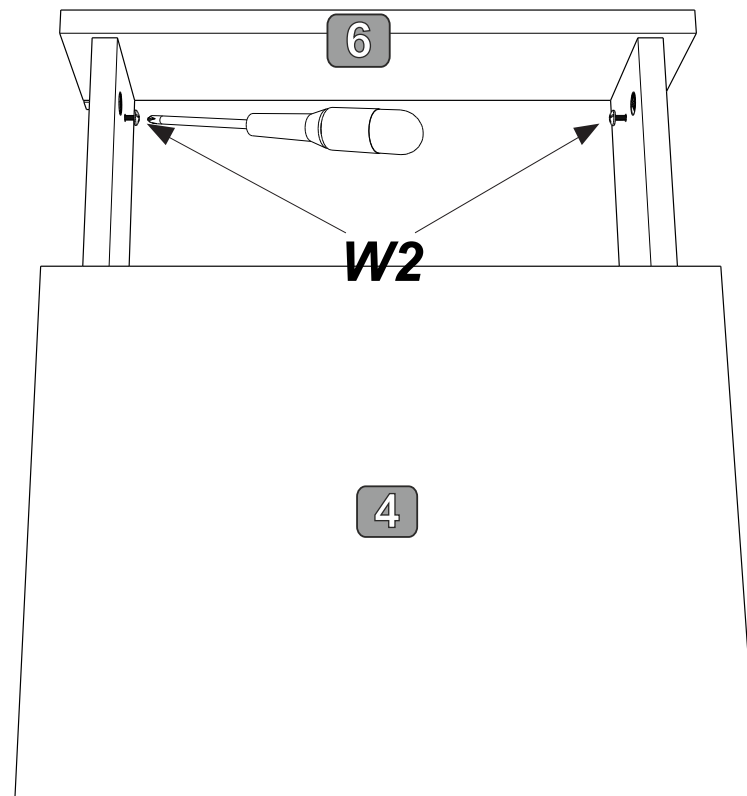
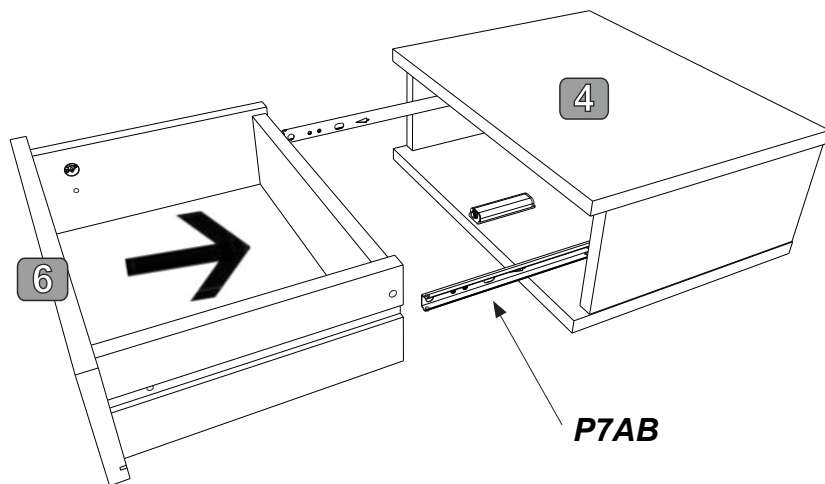


10

W2



2x



11

