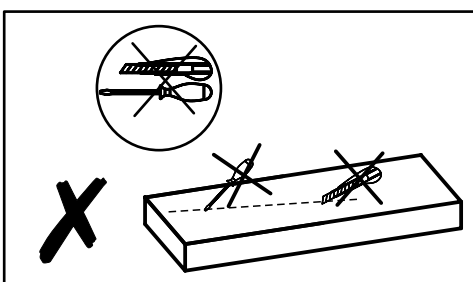
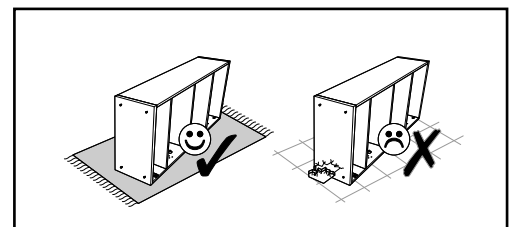
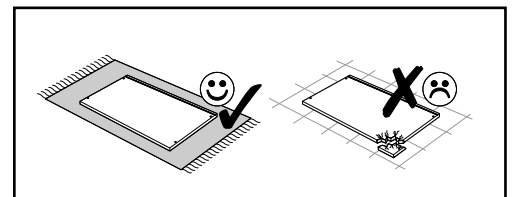
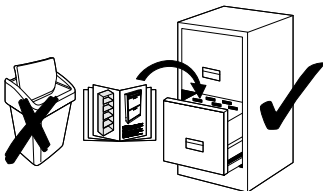
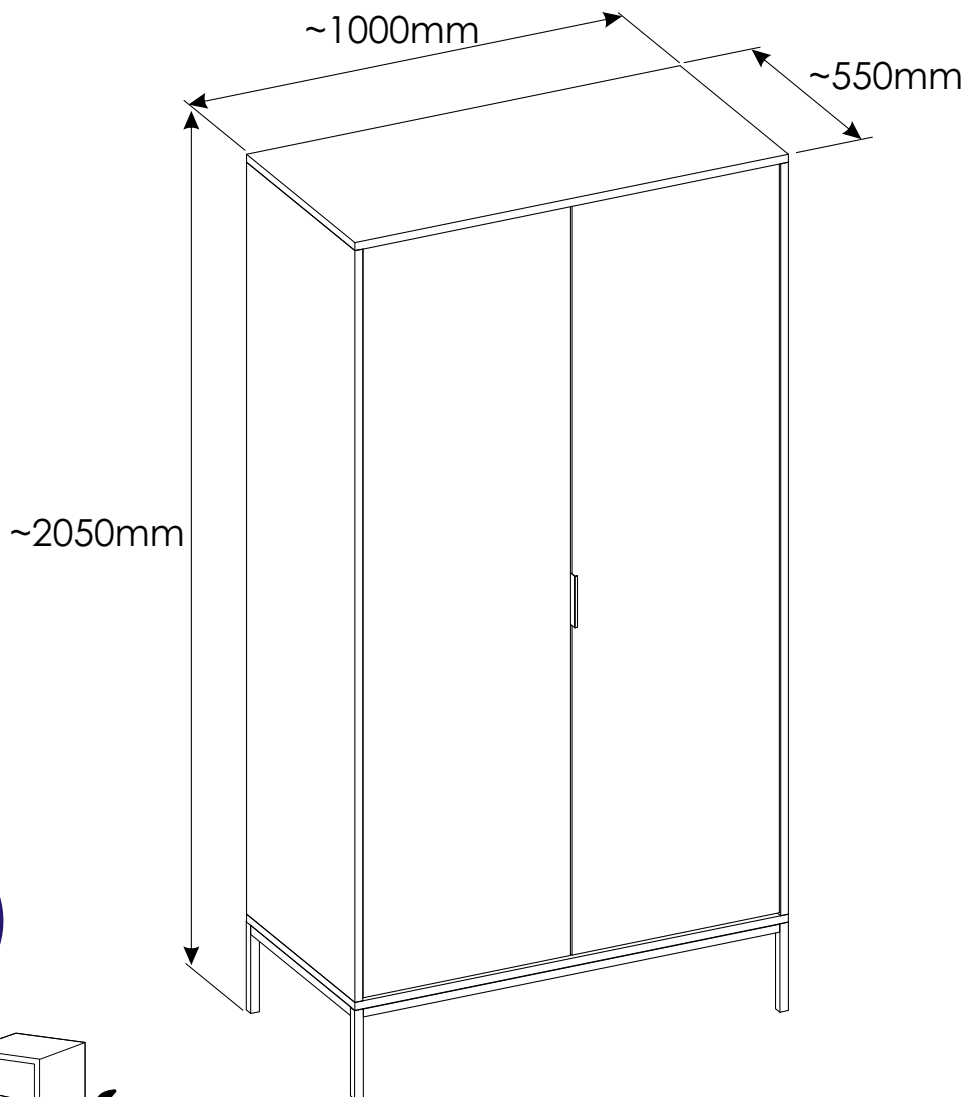
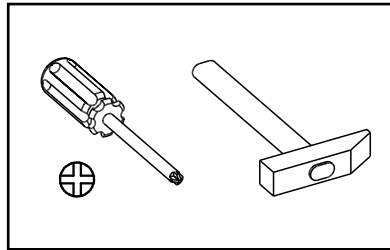
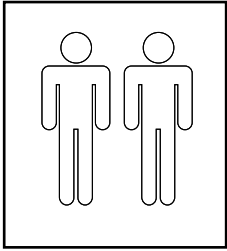
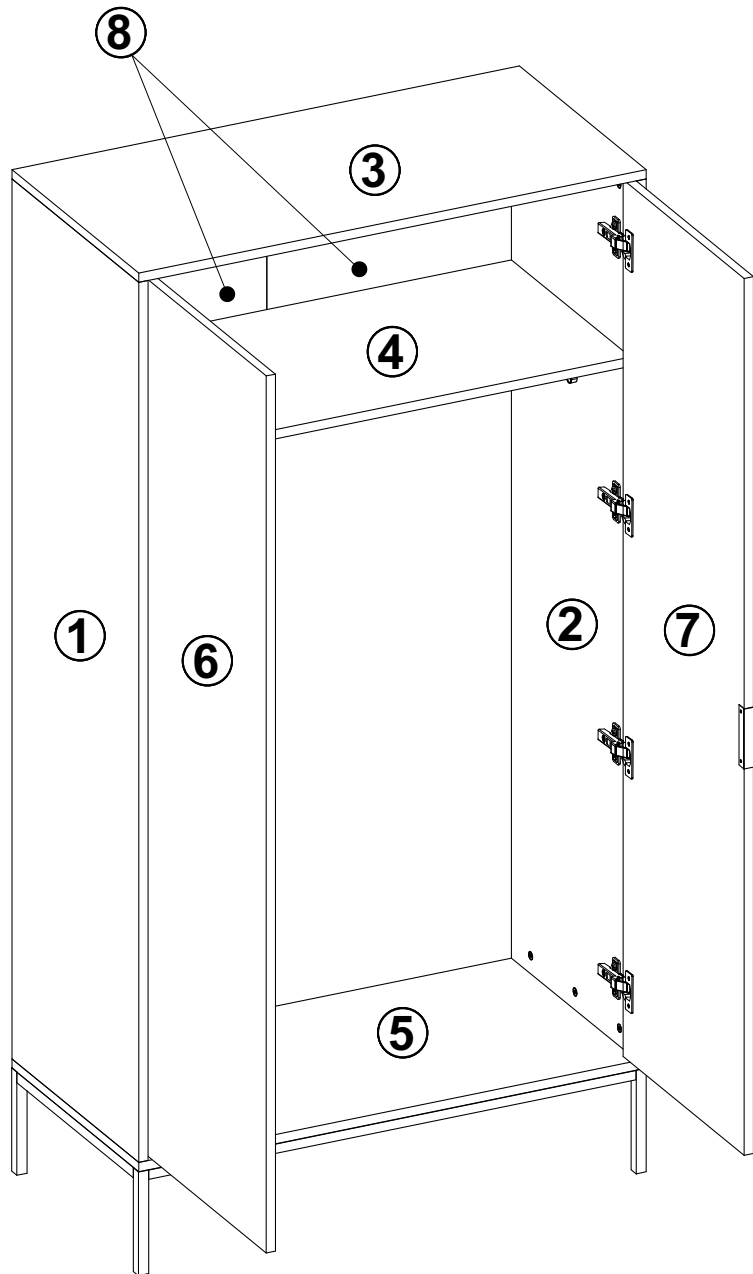
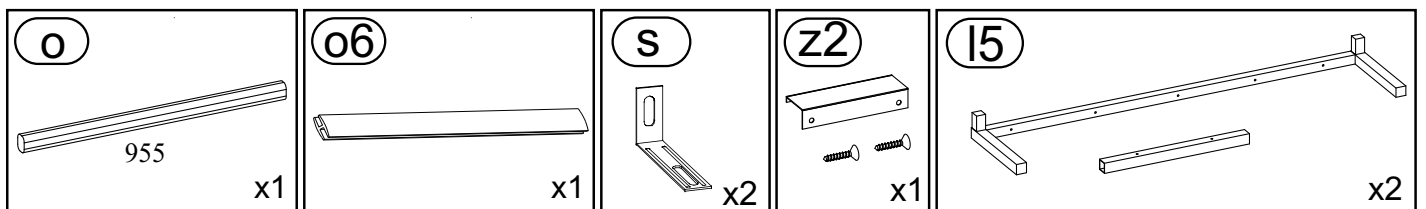
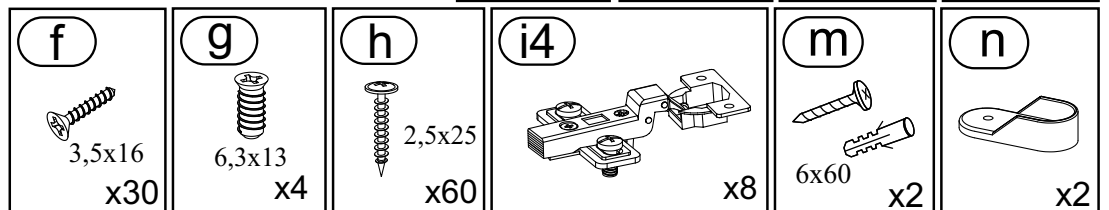
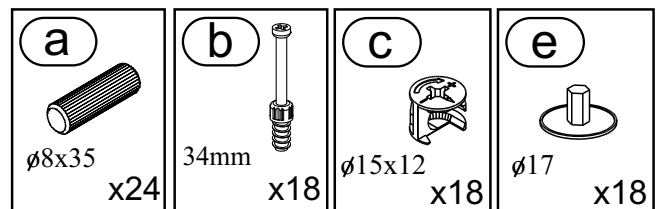


Austin

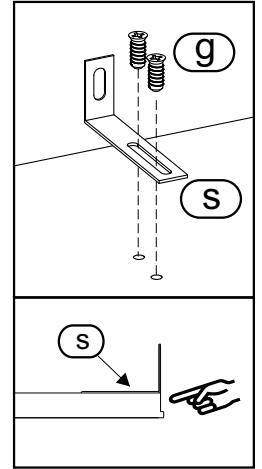
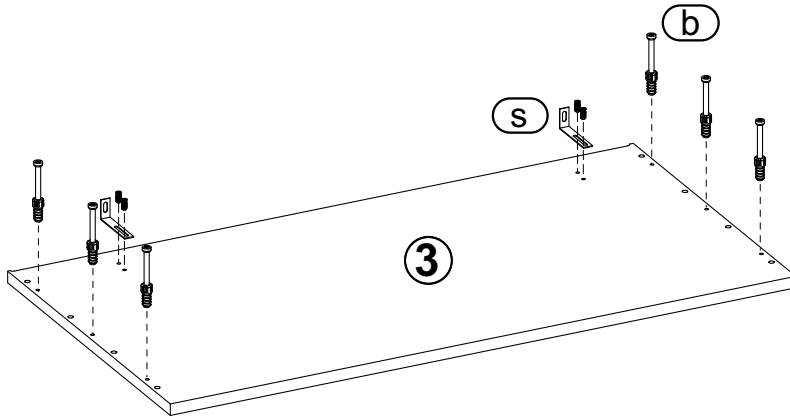
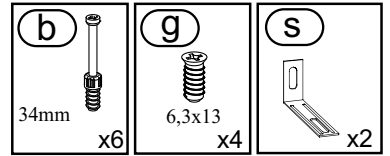
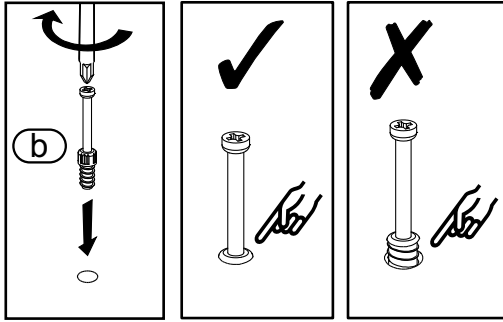




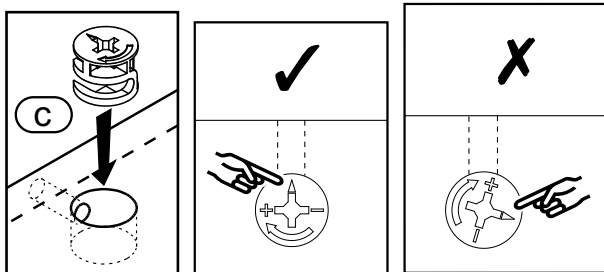
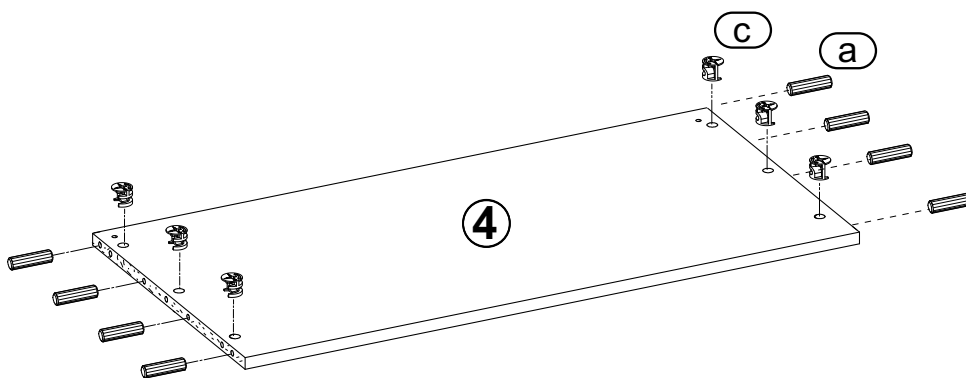
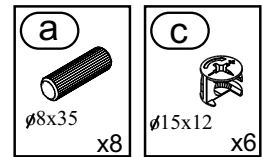
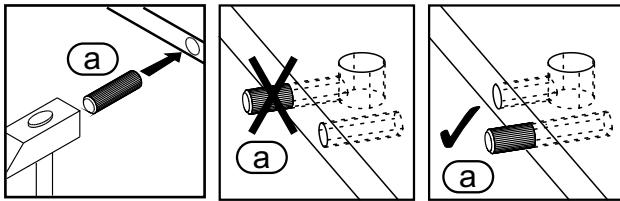
①	1814x550	1	1/1
②	1814x550	1	1/1
③	1000x550	1	1/3
④	962x518	1	1/3
⑤	1000x550	1	1/3
⑥	1806x475	1	1/2
⑦	1806x475	1	1/2
⑧	1840x494	2	1/1



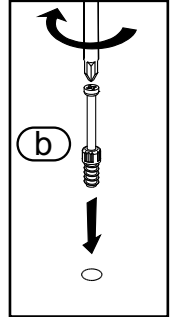
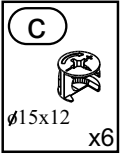
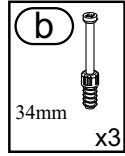
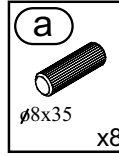
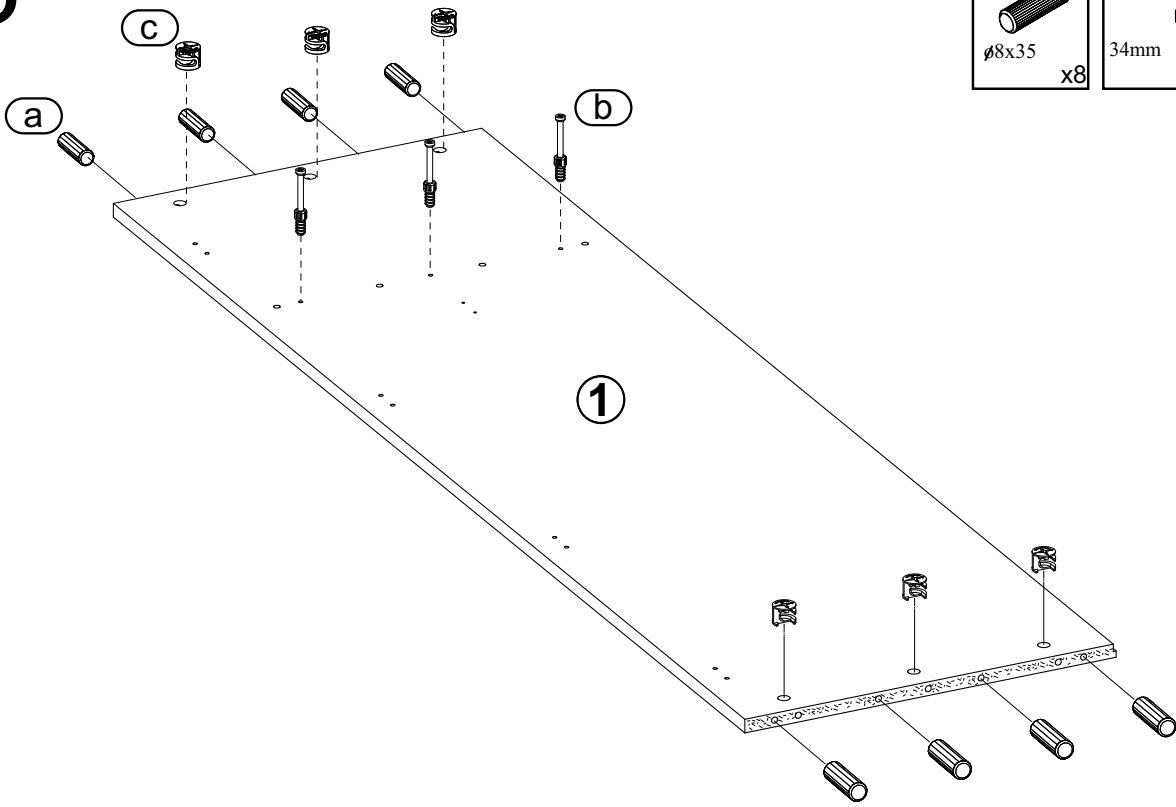
1



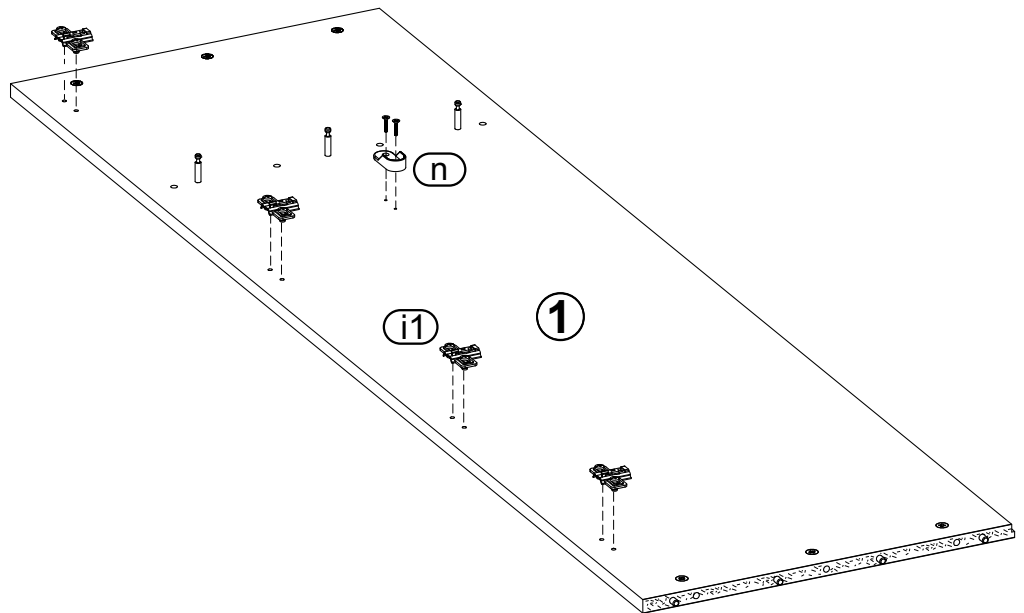
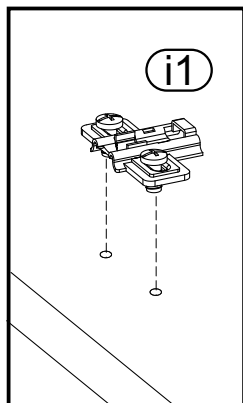
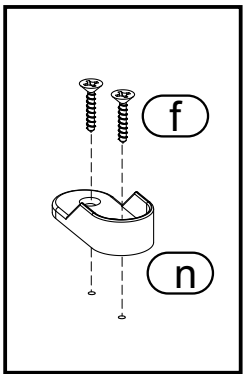
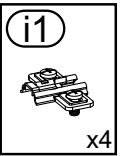
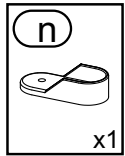
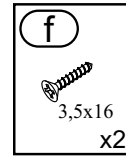
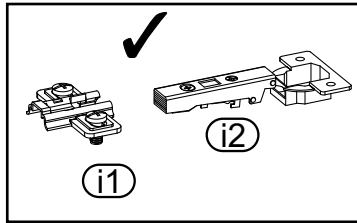
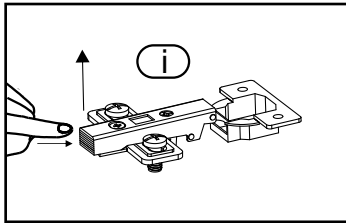
2



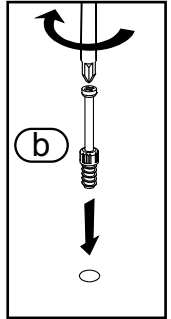
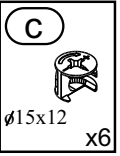
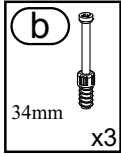
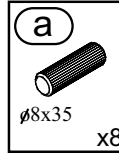
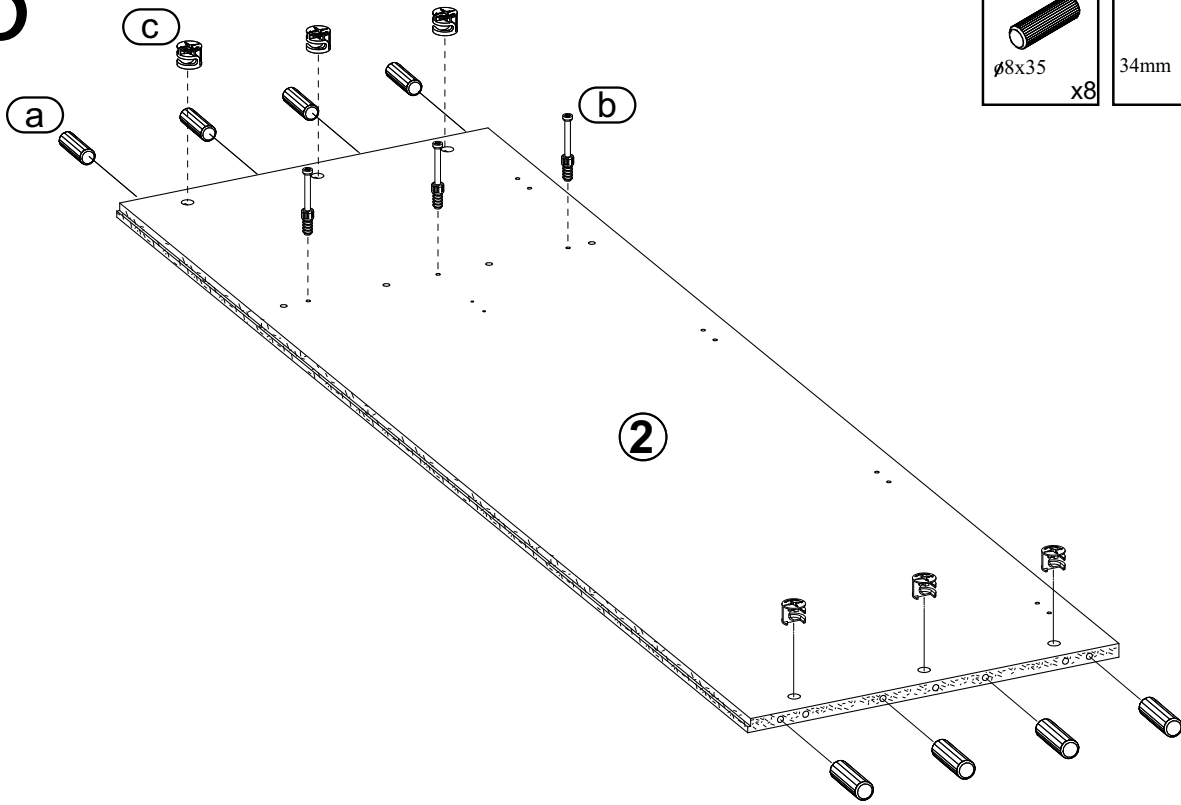
3



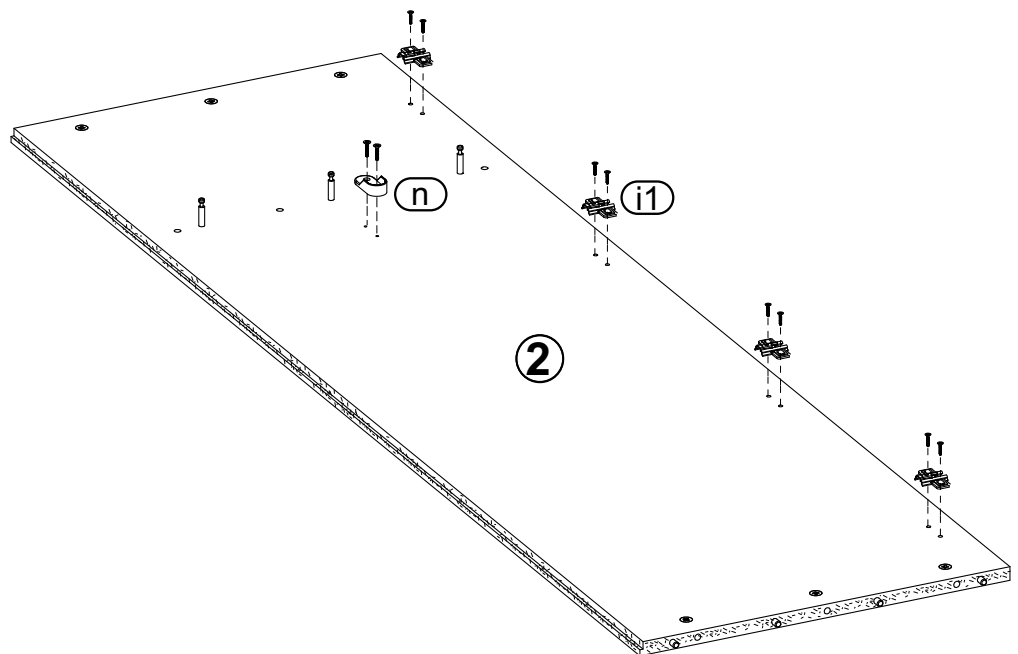
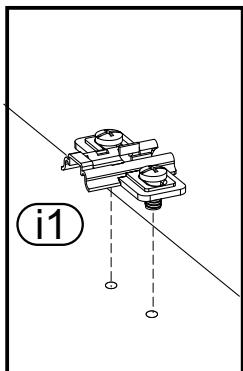
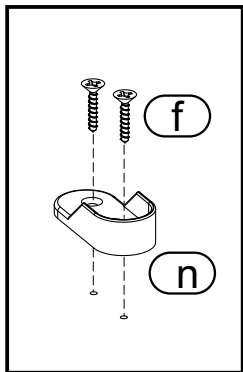
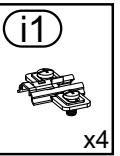
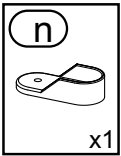
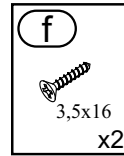
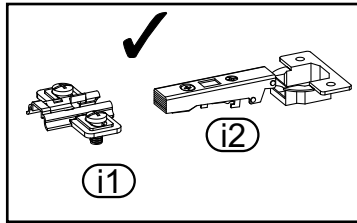
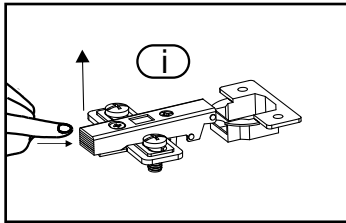
4



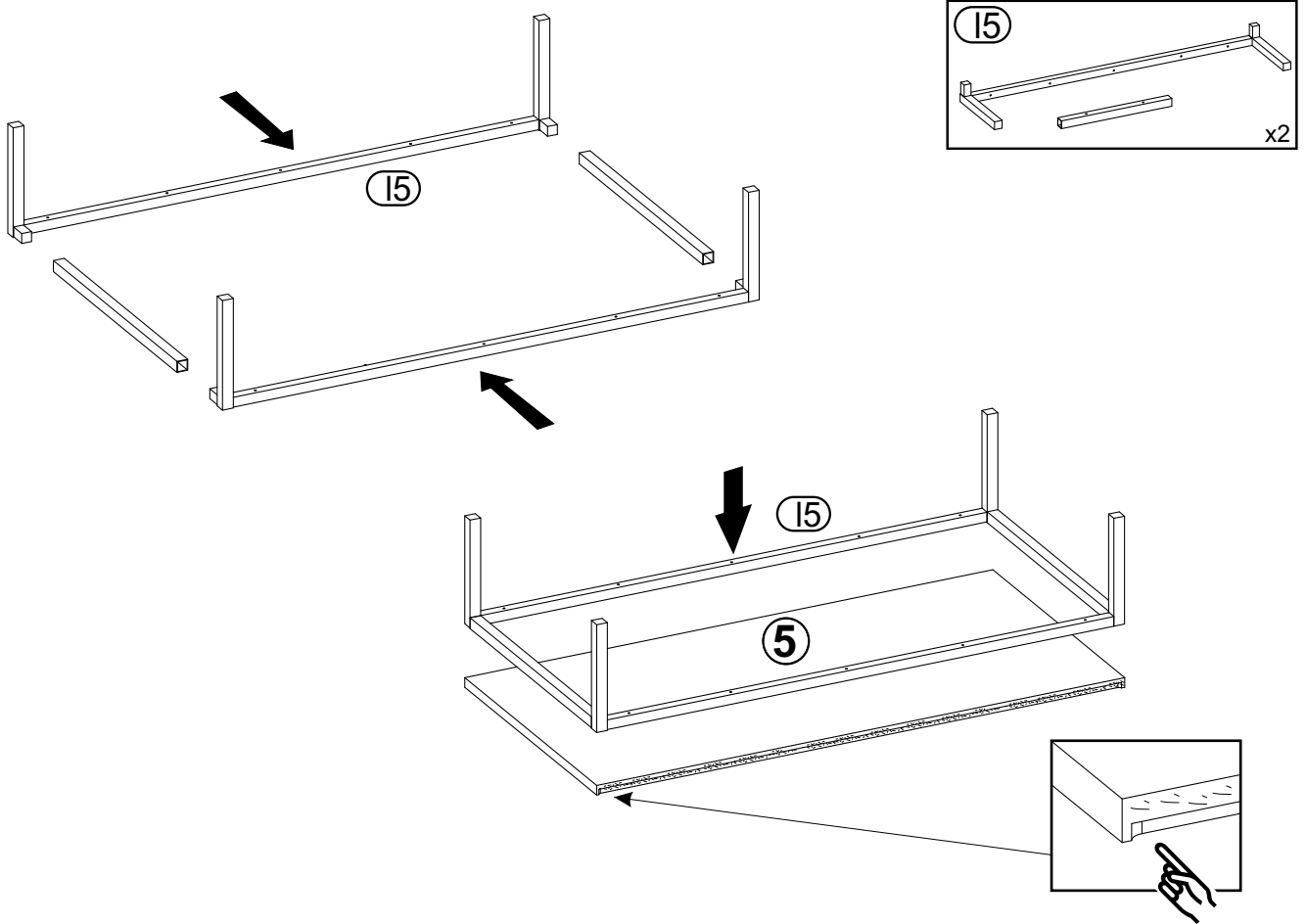
5



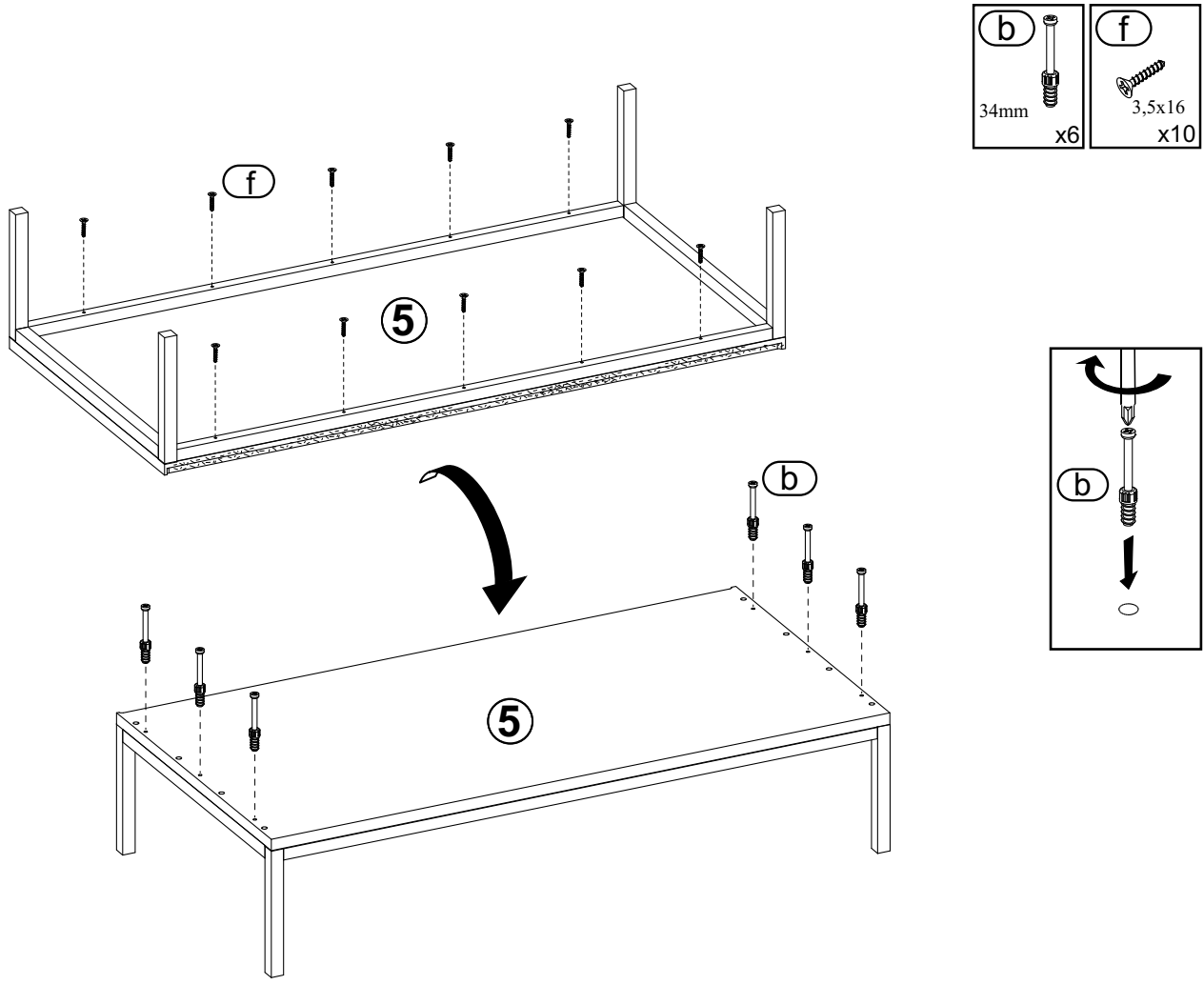
6



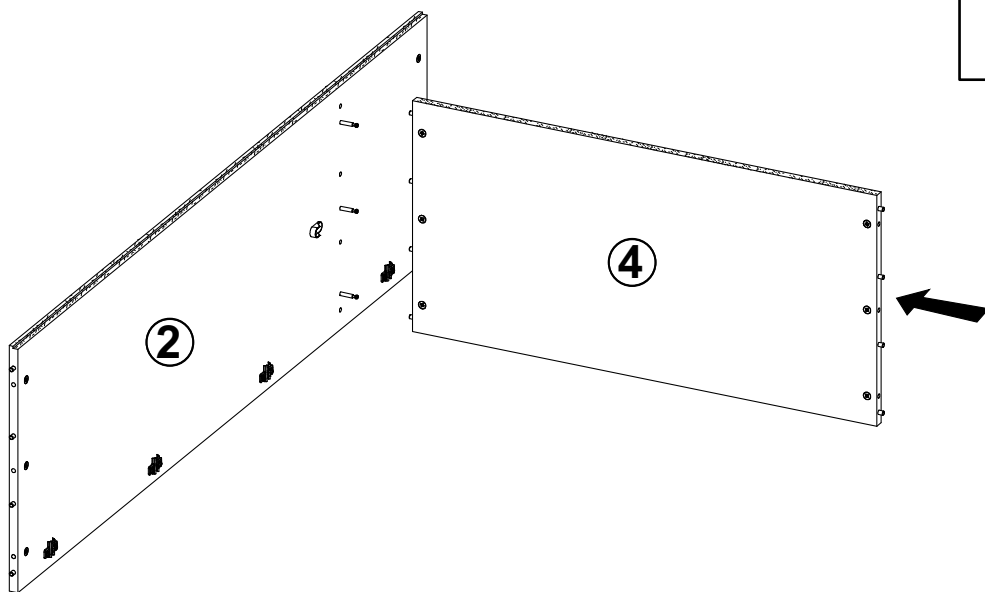
7



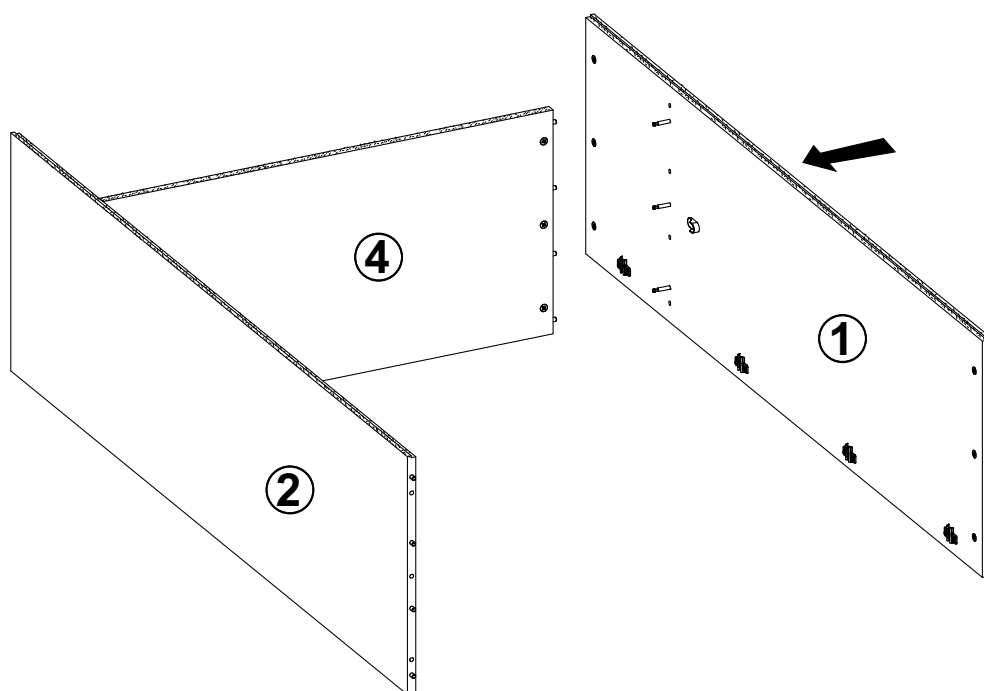
8



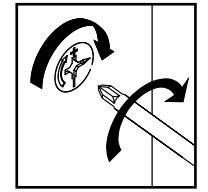
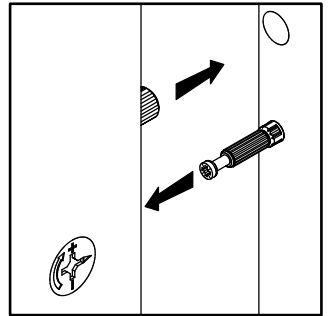
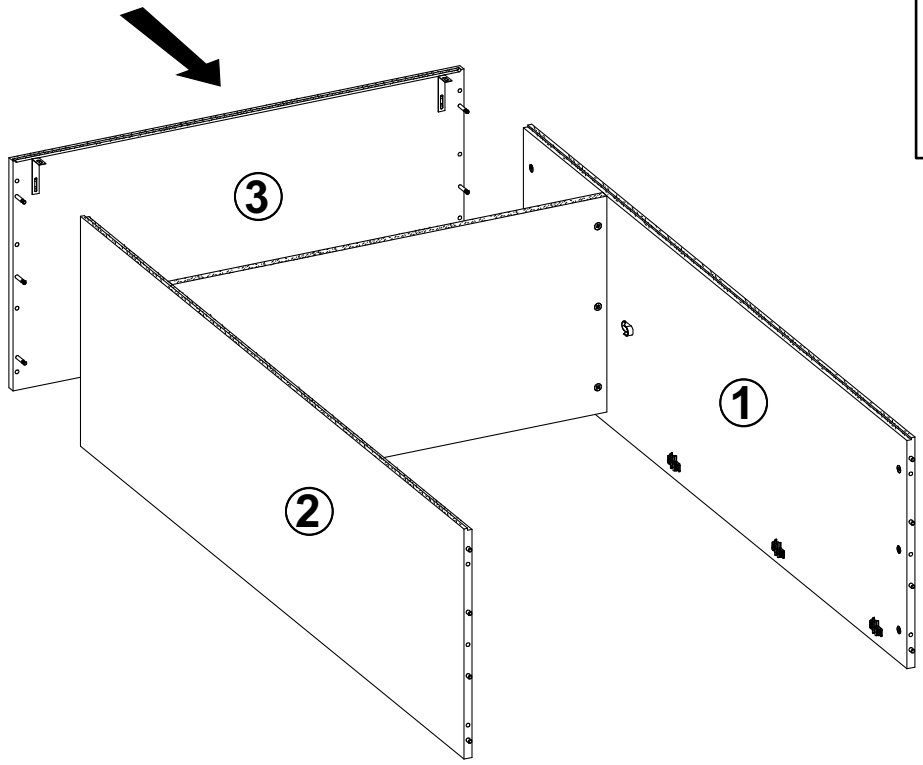
9



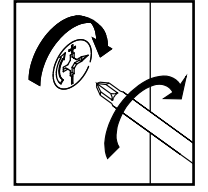
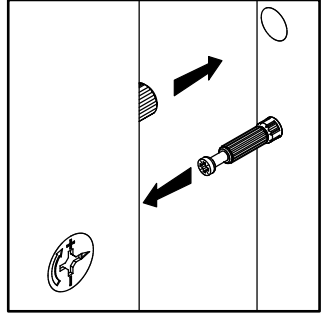
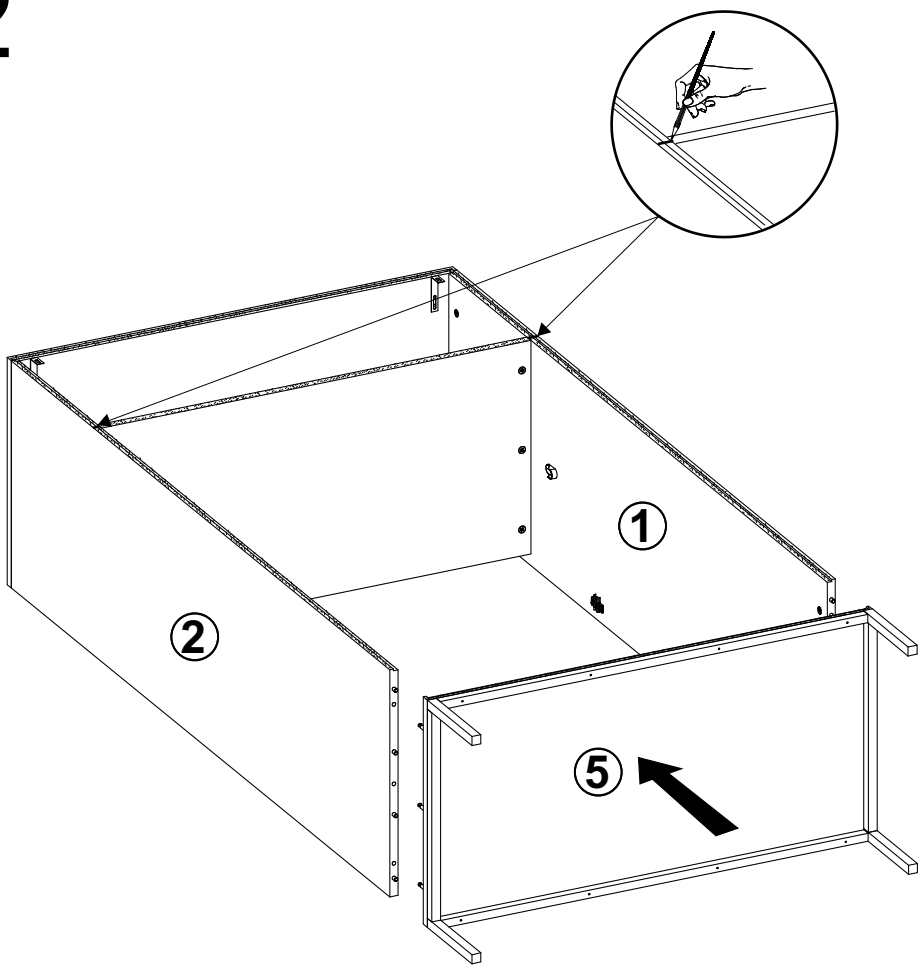
10



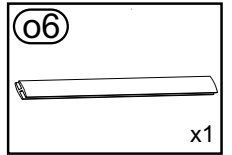
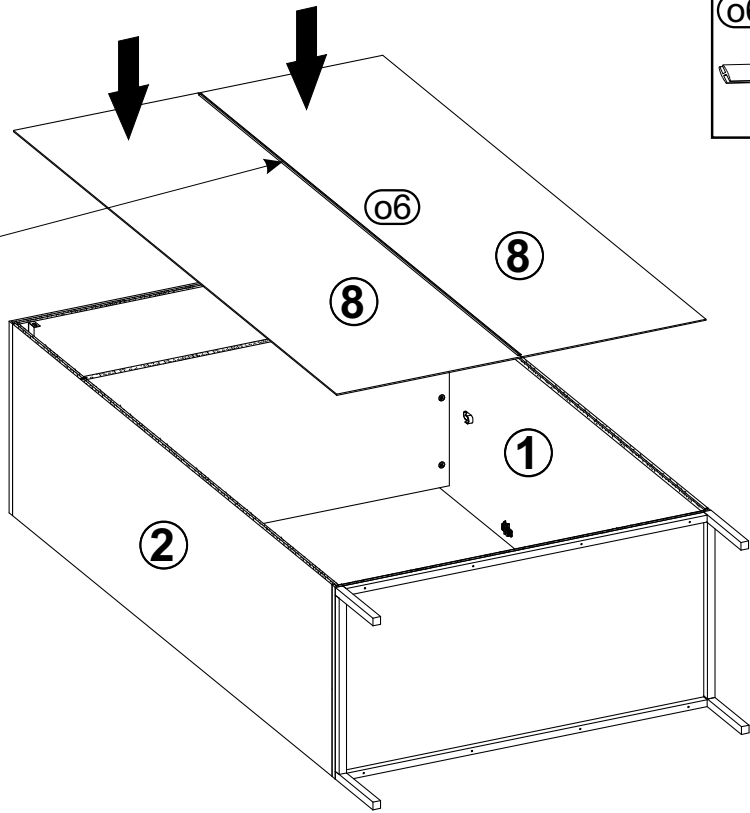
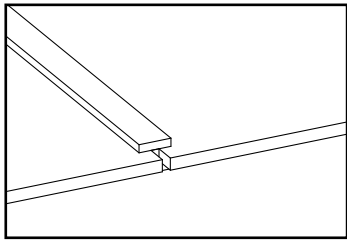
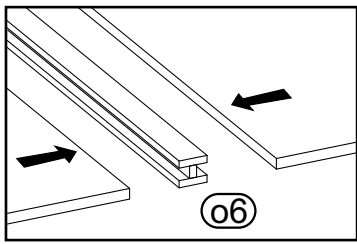
11



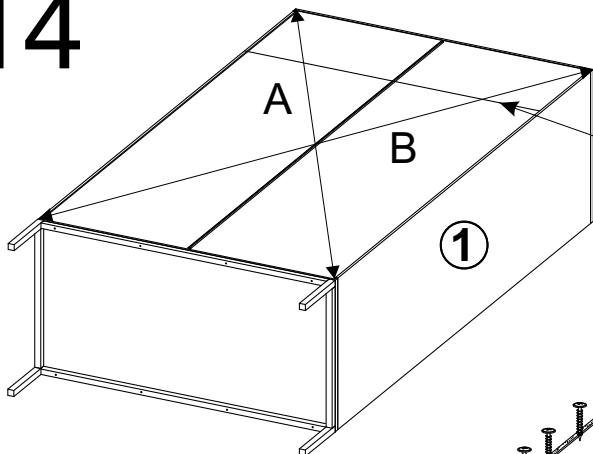
12



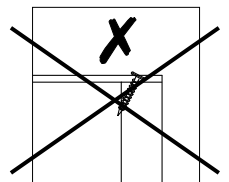
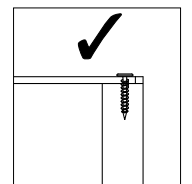
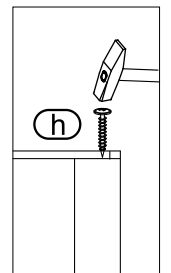
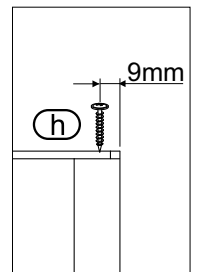
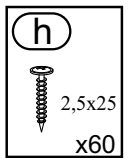
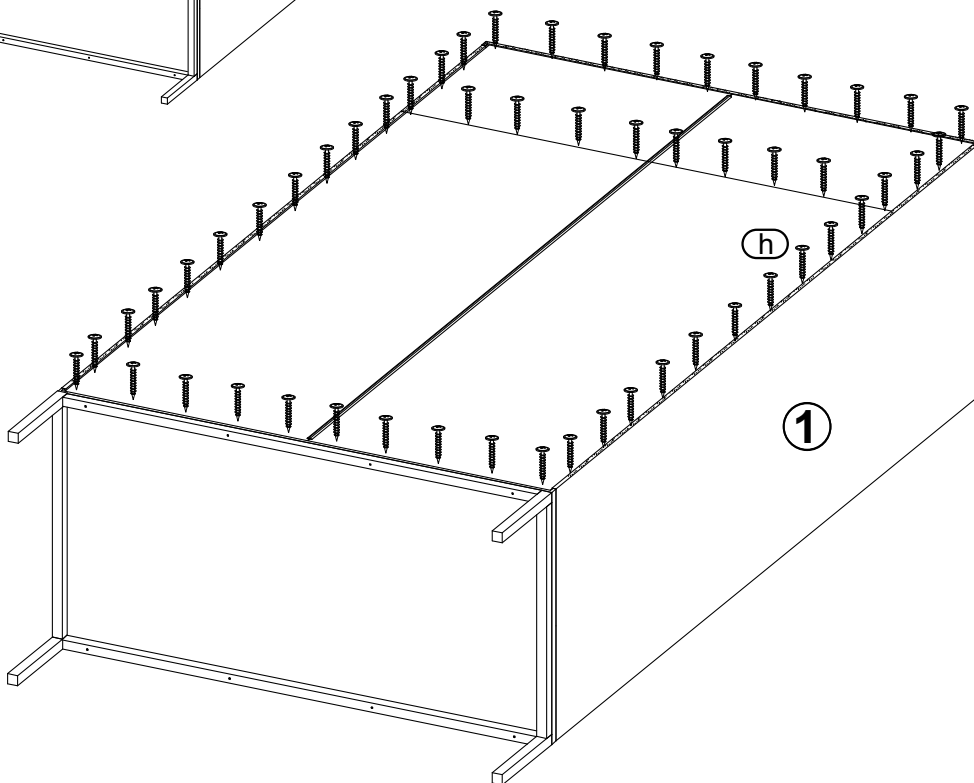
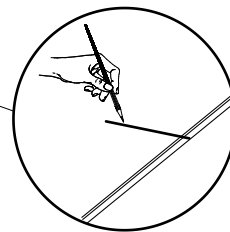
13



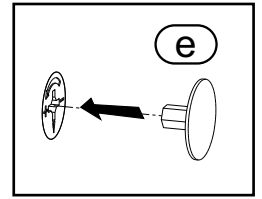
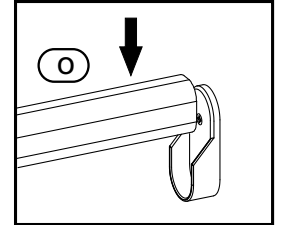
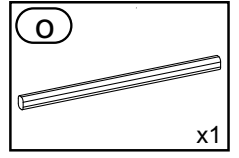
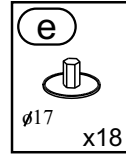
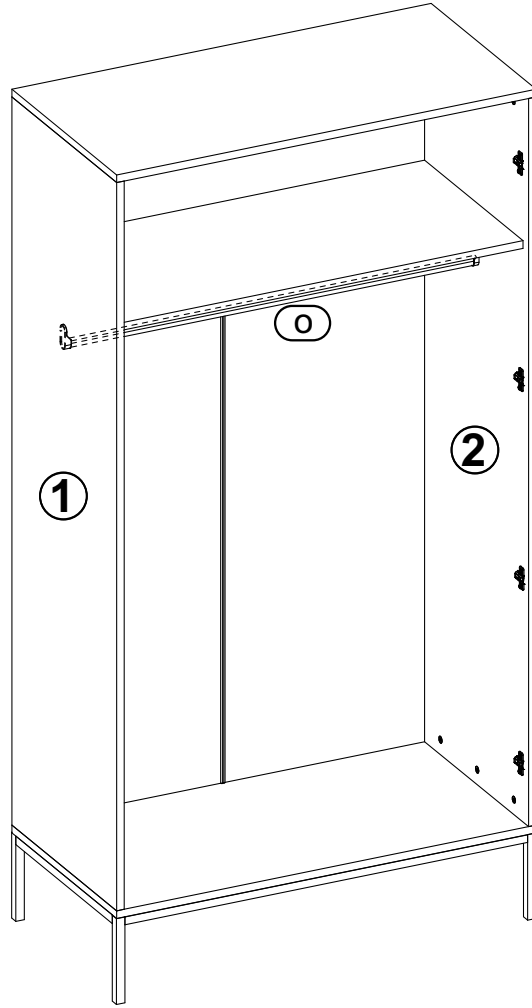
14



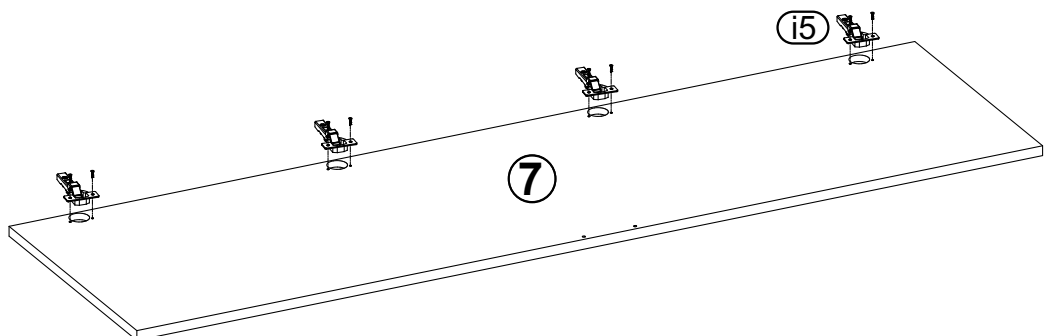
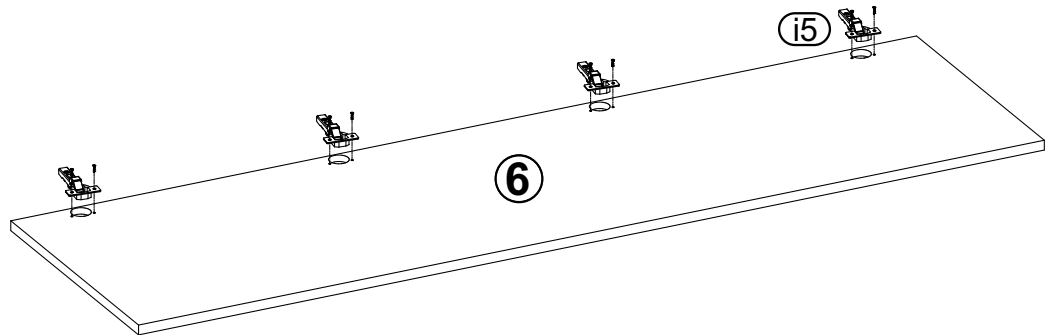
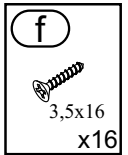
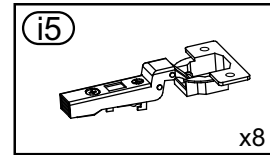
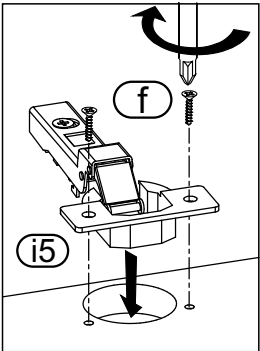
A=B



15



16



17

