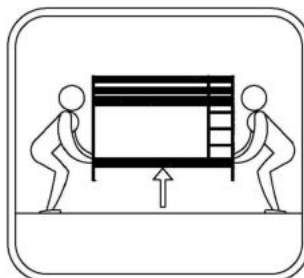
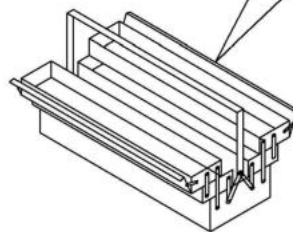
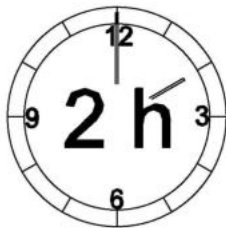
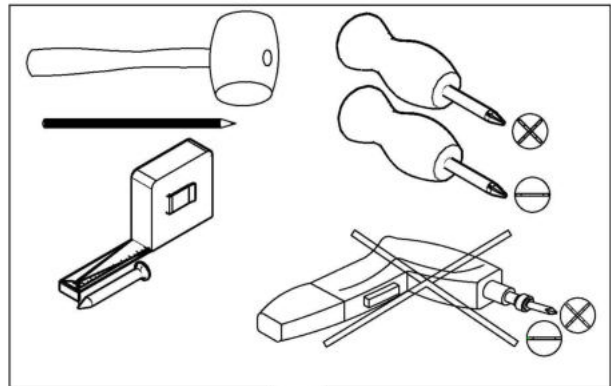
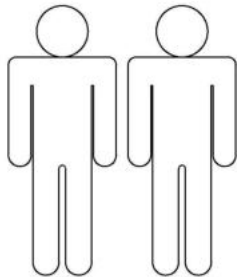
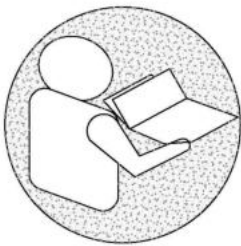
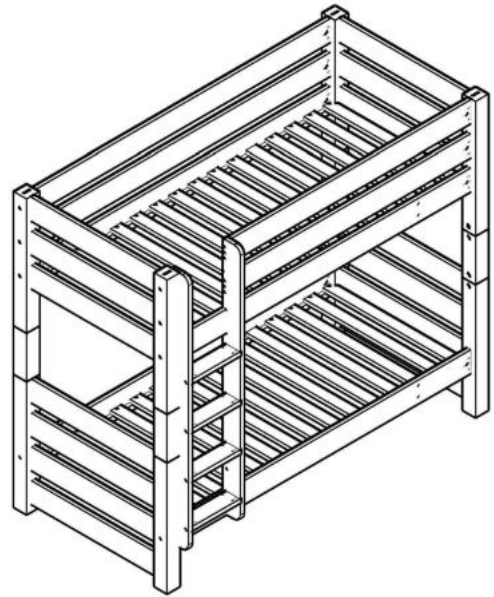
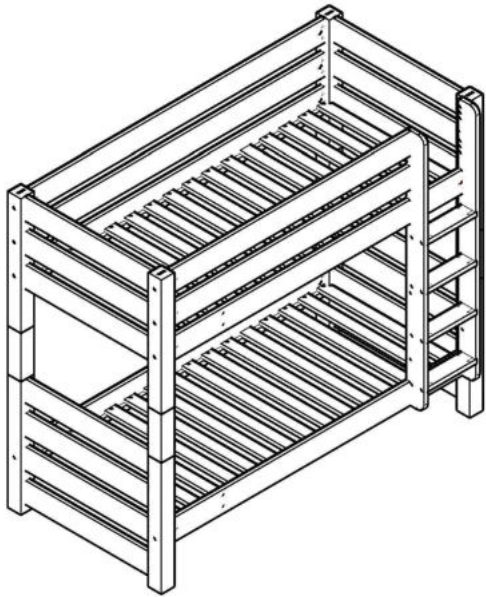
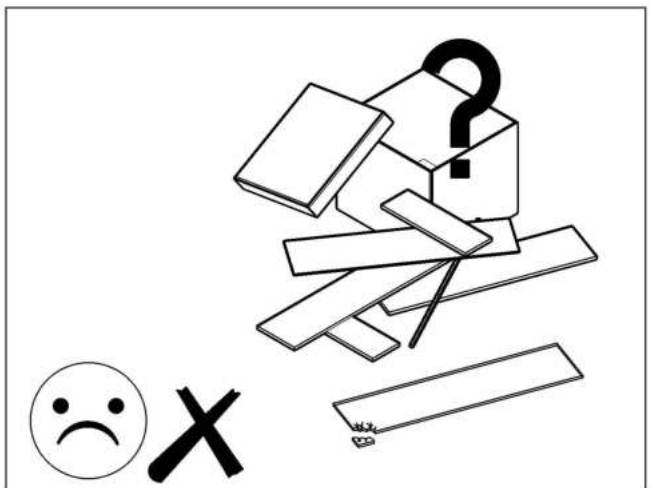
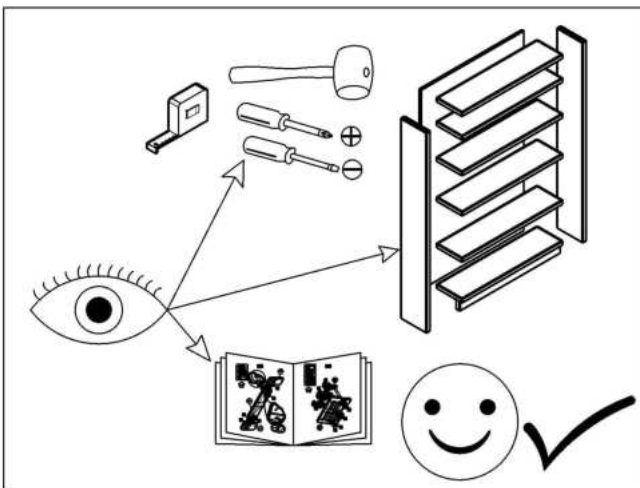
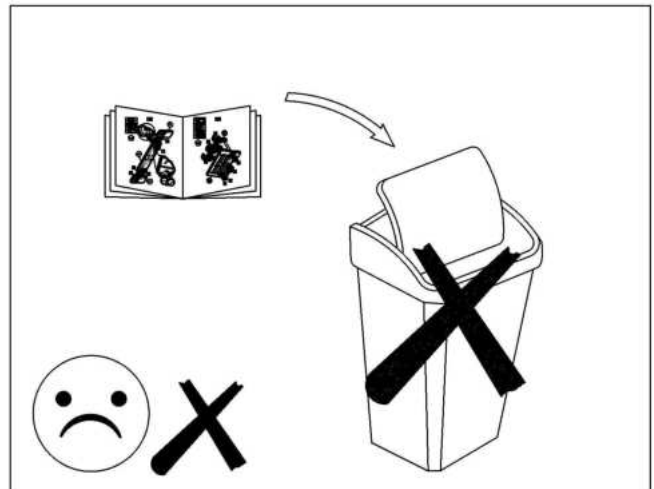
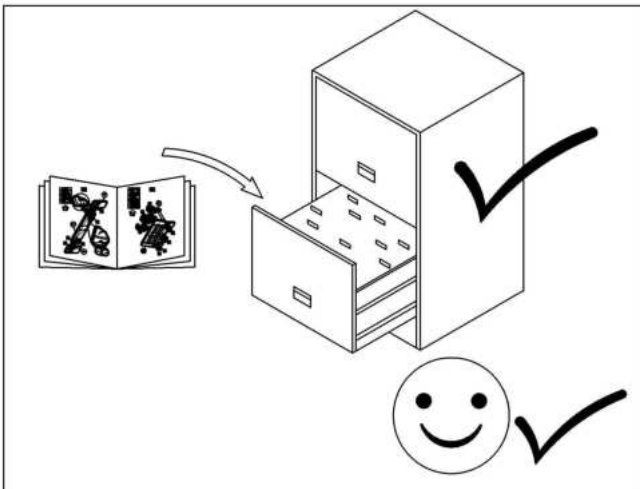
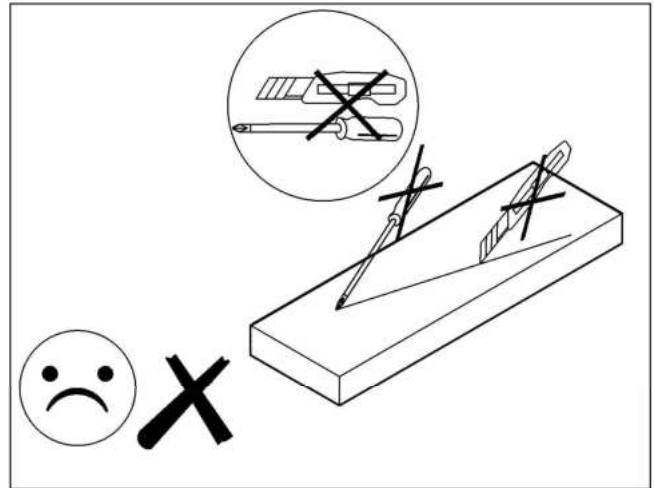
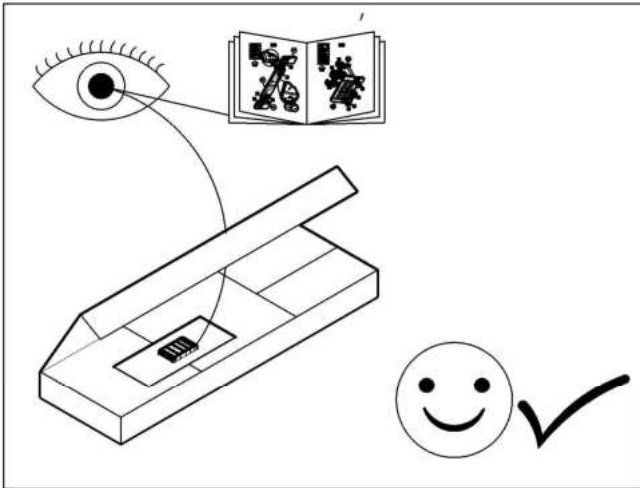
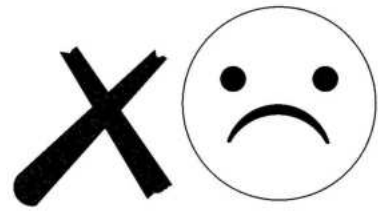
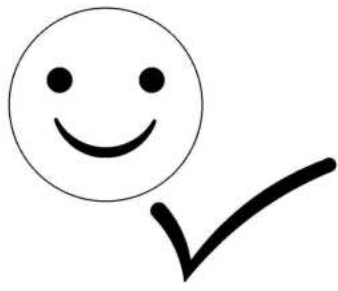
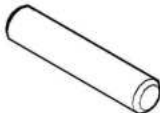

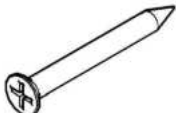
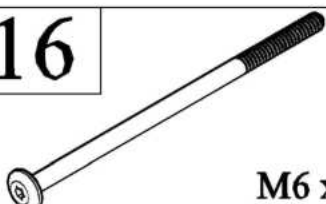





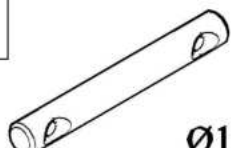
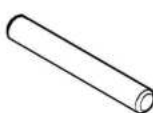

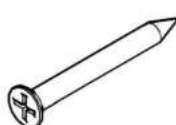
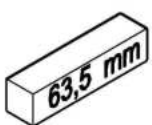
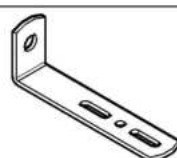
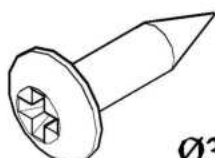
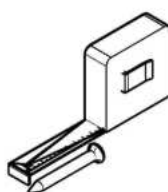


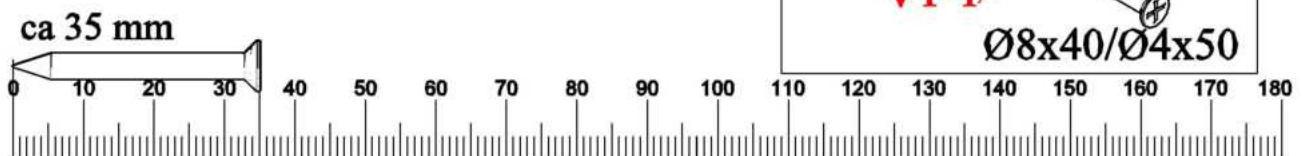


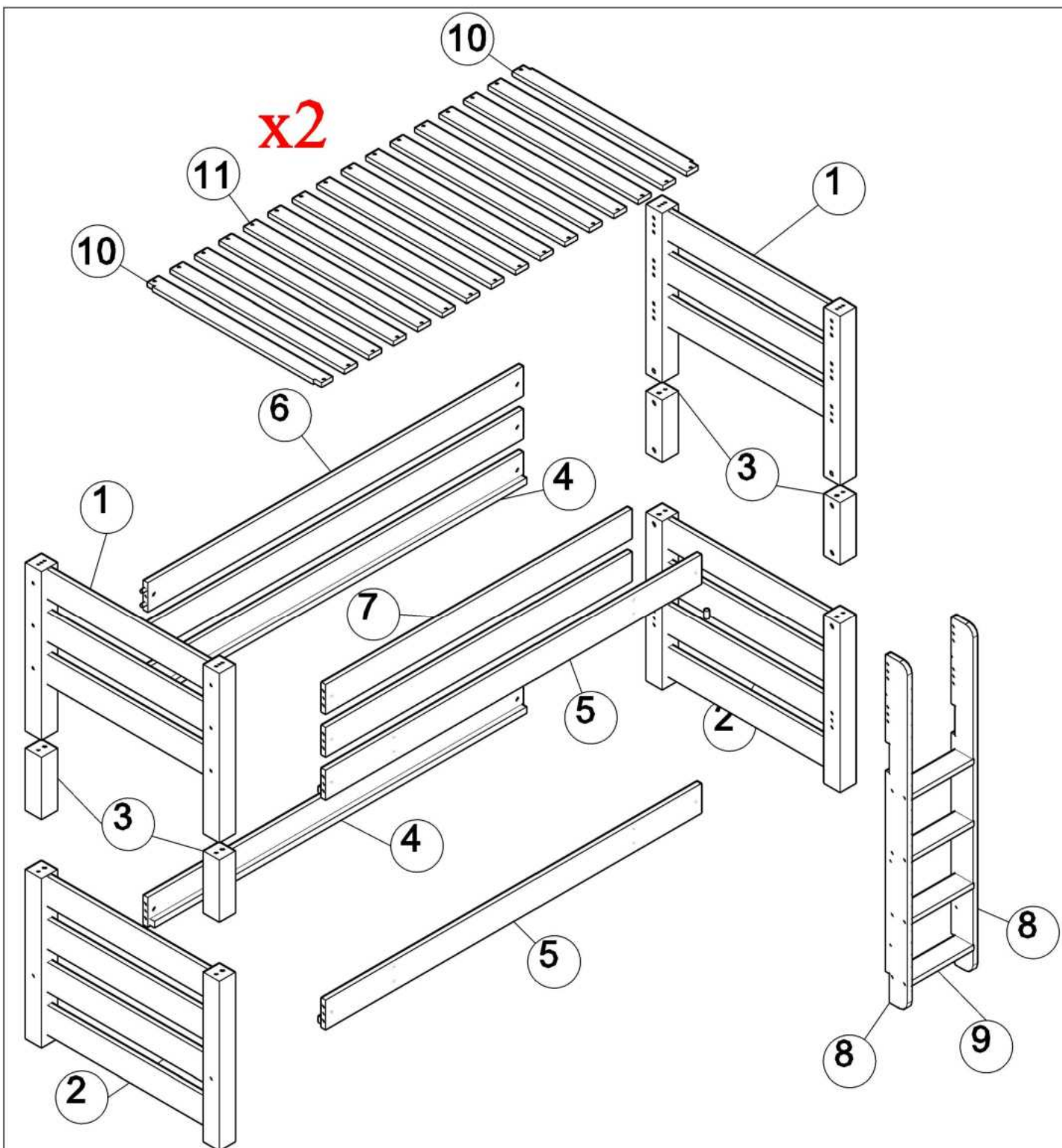
Honza



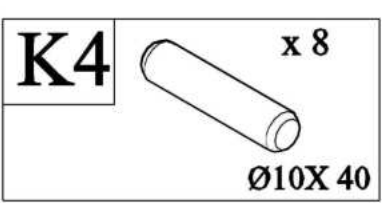
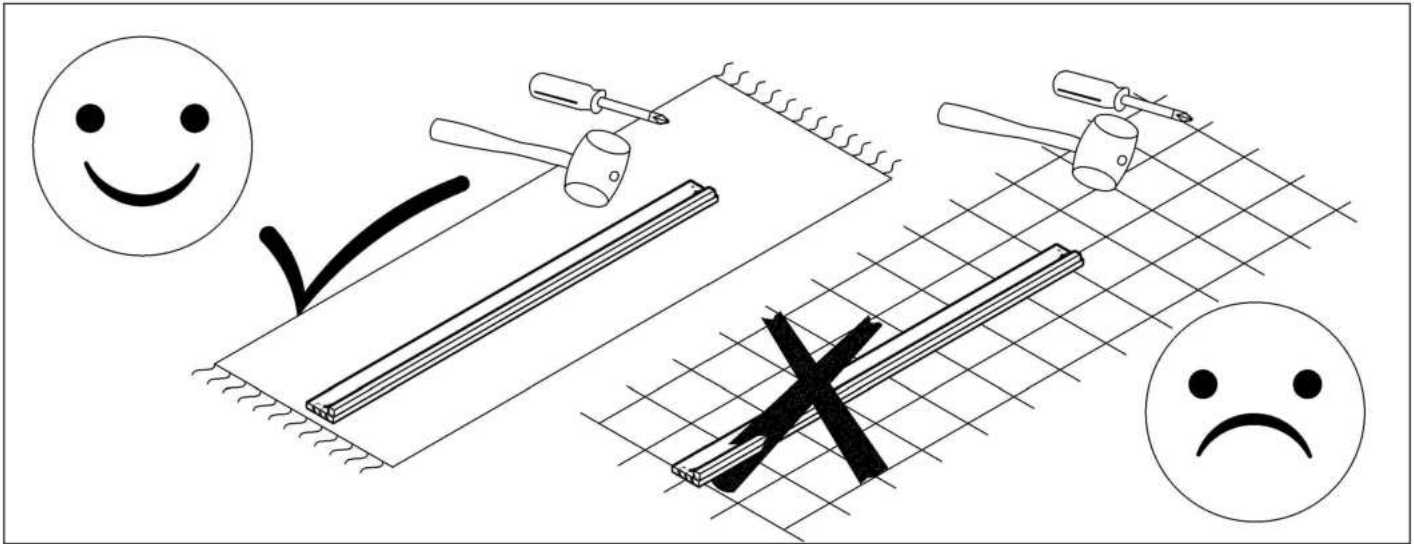


K4	x 28		$\text{Ø}10 \times 40$	H4	x 14		$\text{Ø}10 \times 13$
S8	x 6		$\text{Ø}4 \times 60$	J16	x 14		M6 x 120
J13	x 2		M6 X 93	H7	x 2		M6/Ø8 x 15
M3	x 16		$\text{Ø}16 \times 19$	M5	x 16		M10 x 13
F2	x 1		HEX 4 mm	H5	x 8		$\text{Ø}10 \times 80$
K9	x 8		$\text{Ø}8 \times 60$	C3	x 20		$\text{Ø}7 \times 50$
S5	x 64		$\text{Ø}3,5 \times 30$	X1	x 2		63,5x25x25
B2	x 2		75 x 25 x 15	S3	x 2		$\text{Ø}3,5 \times 16$
			ca 35 mm	V1	x 2		V1-1
							V1-2
							$\text{Ø}8 \times 40 / \text{Ø}4 \times 50$



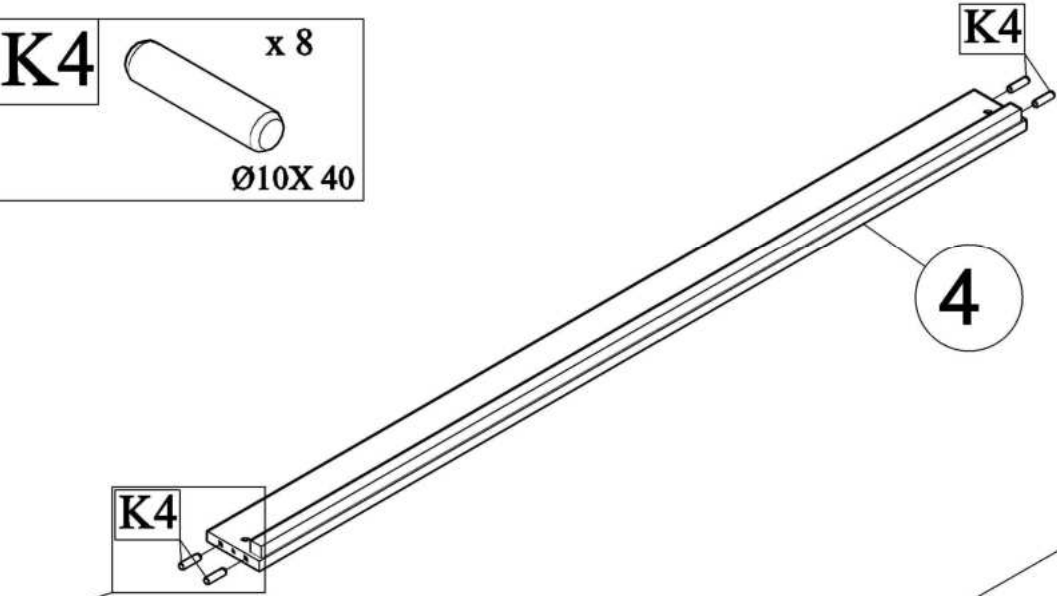


TEILE NR	ANZAHL	MASS L X B X T(MM)	✓	TEILE NR	ILOŚĆ	WYMIAR L X B X T(MM)	✓
1	2	998 X 695 X 78/20		6	2	1942 X 130 X 20	
2	2	998 X 695 X 78/20		7	2	1542 X 130 X 20	
3	4	335 X 78 X 78		8	2	1549 X 110 X 20	
4	2	1942 X 130 X 20		9	4	320 X 90 X 25	
5	2	1942 X 130 X 20		10	4	898 X 63 X 17	
				11	28	898 X 63 X 17	

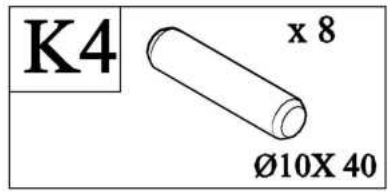


1

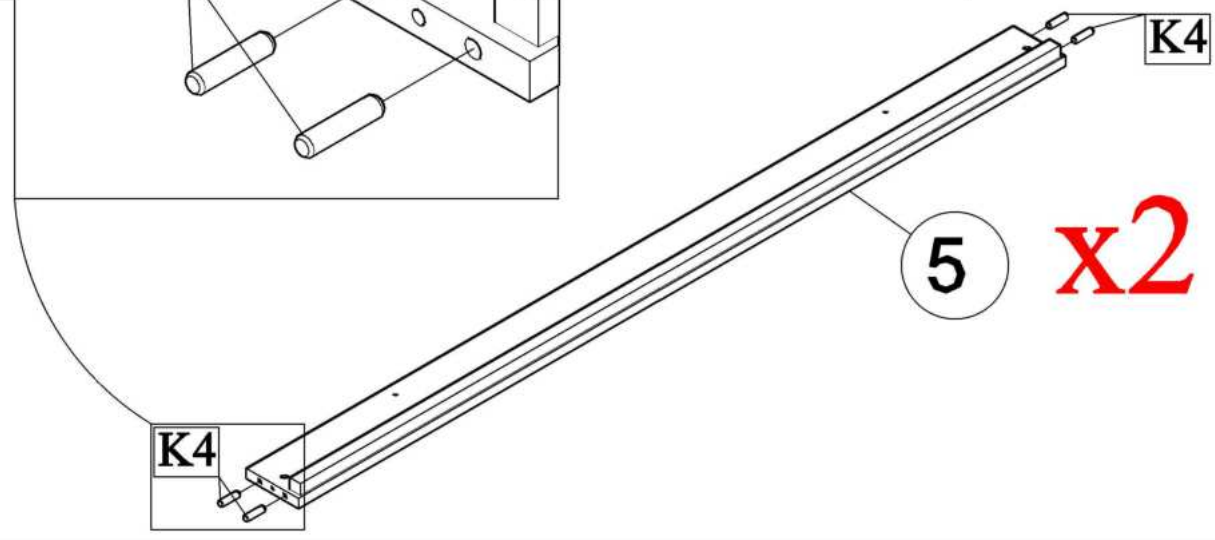
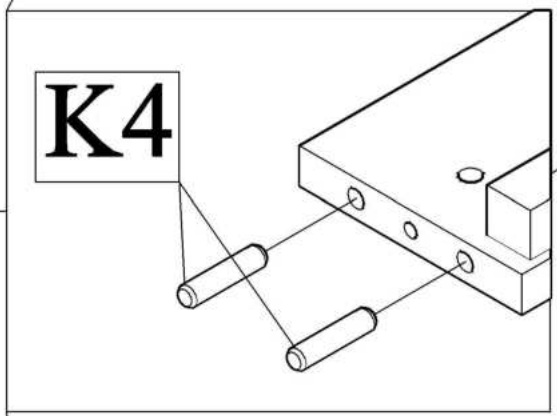
4 x2

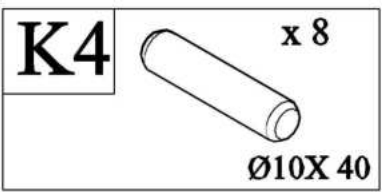


2

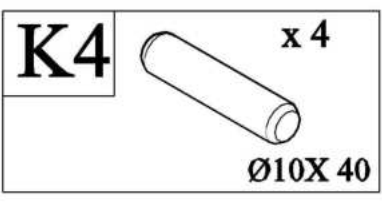
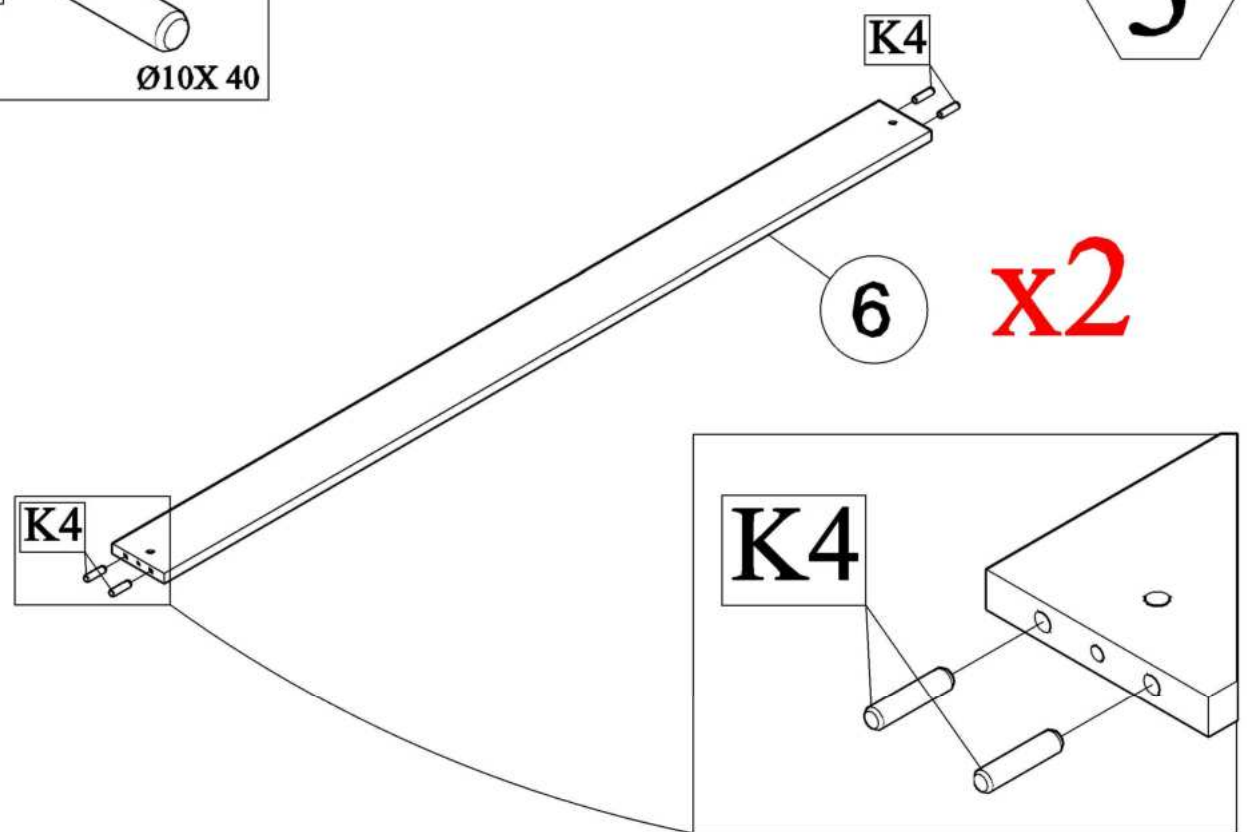


5 x2

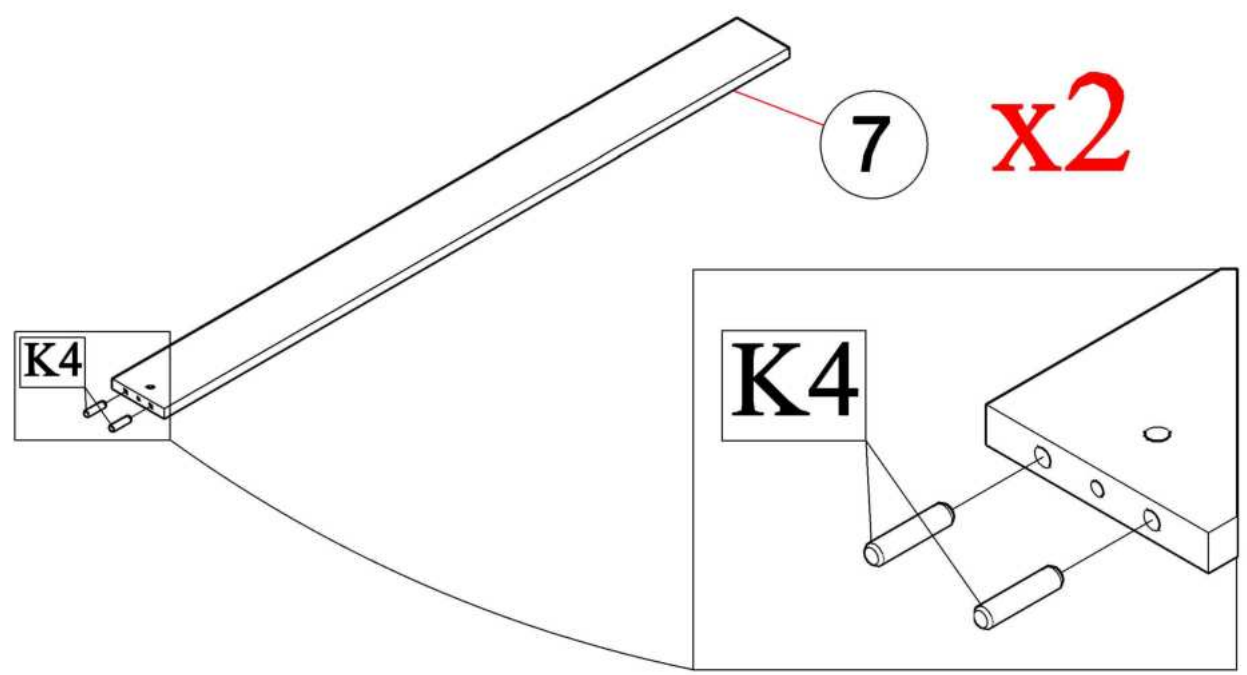




3



4



M3

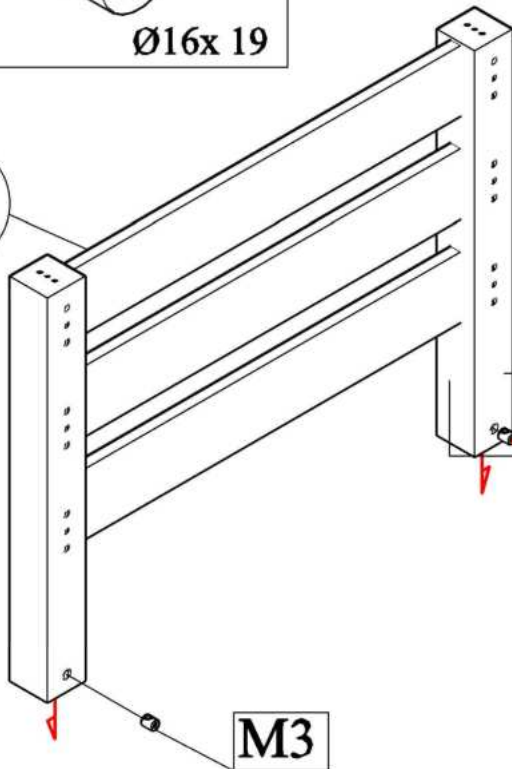


x 4

Ø16x 19

5

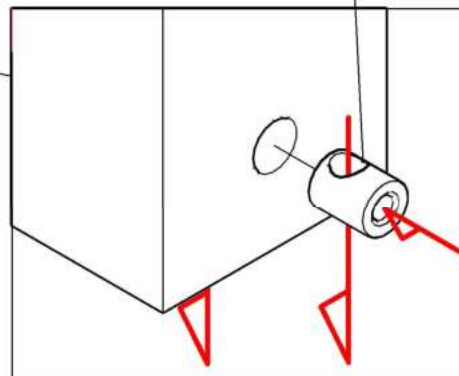
1



x2

M3

M3



M3

M3

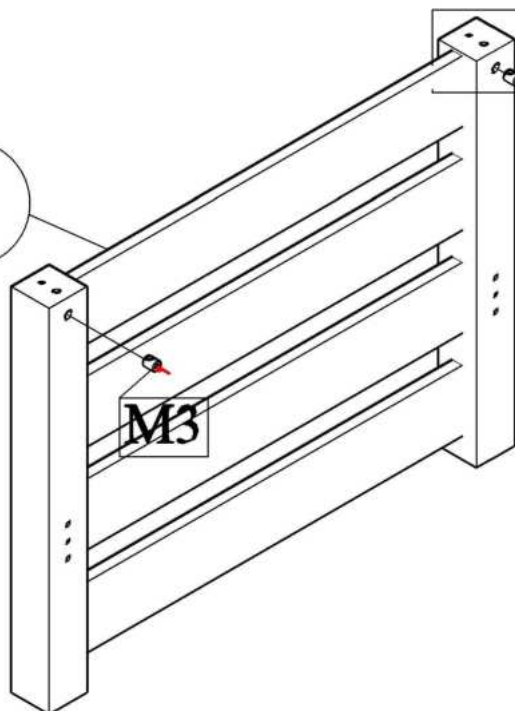


x 4

Ø16x 19

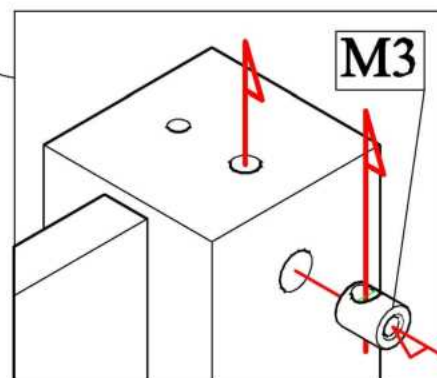
6

2



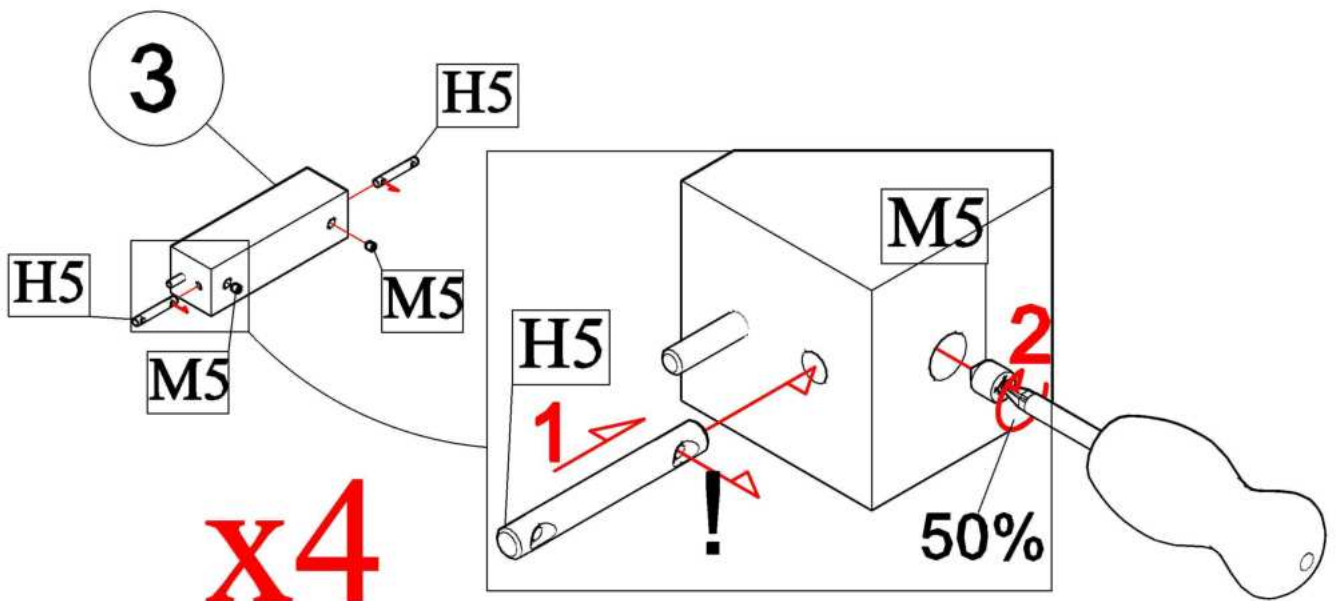
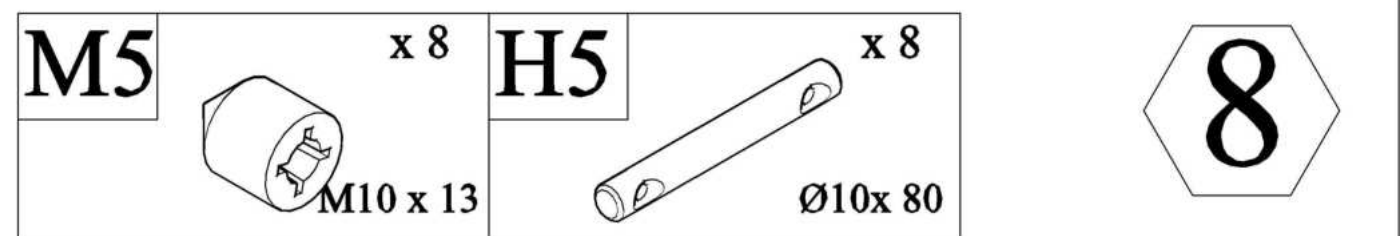
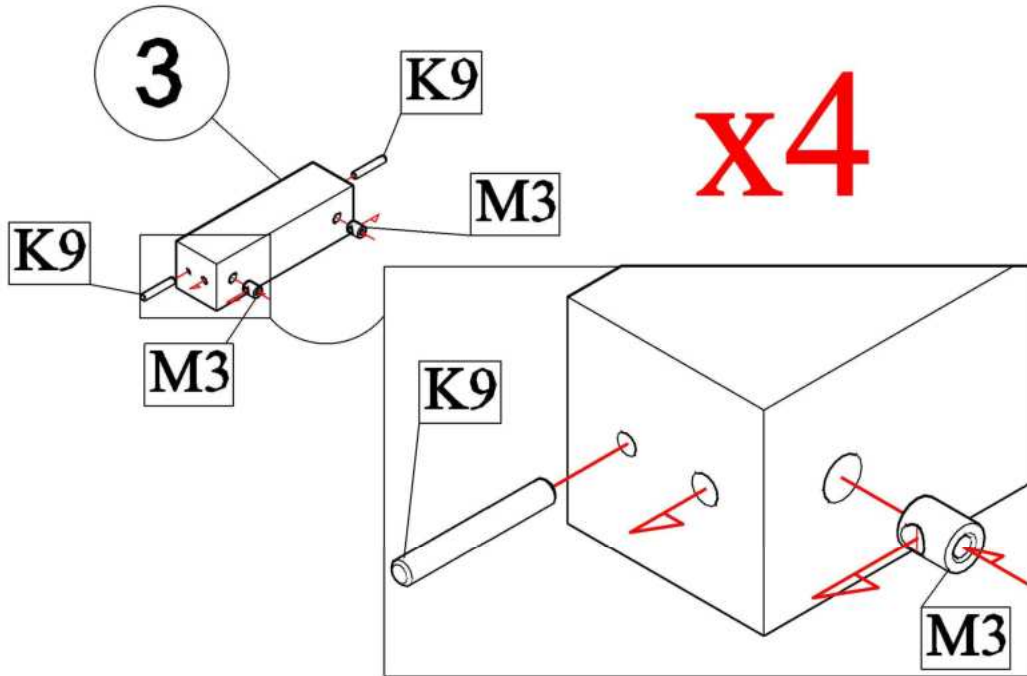
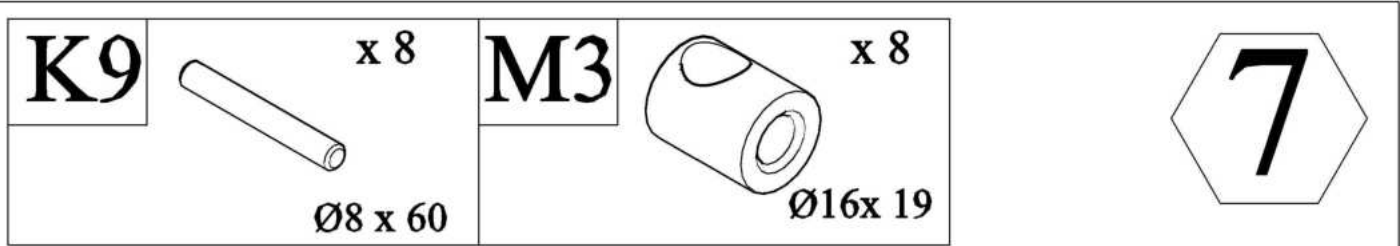
M3

M3



M3

x2



M5

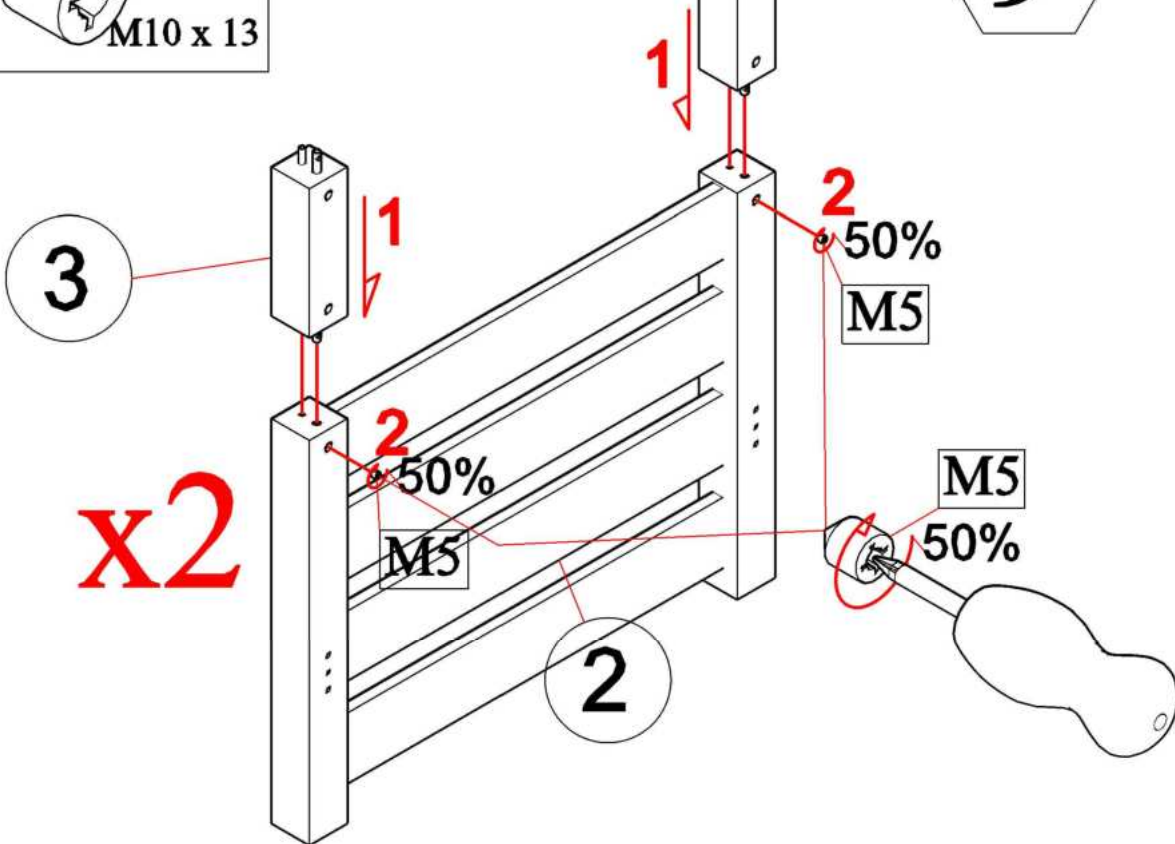
x 4



M10 x 13

3

9



x2

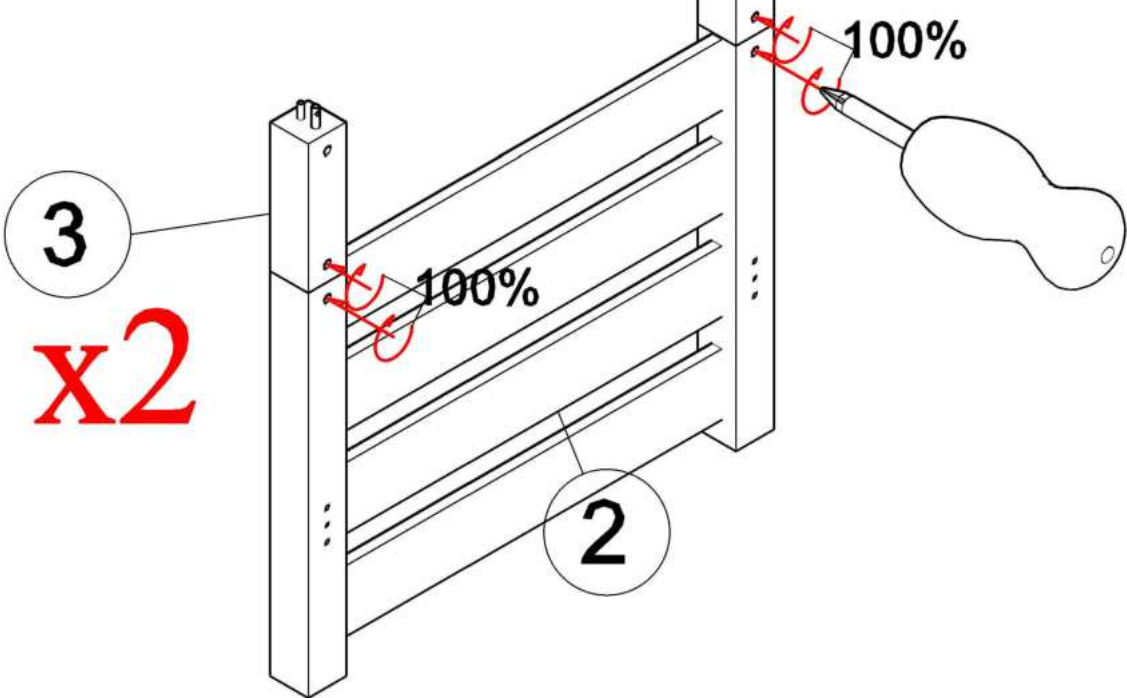
50%
M5

M5
50%

2

3

10





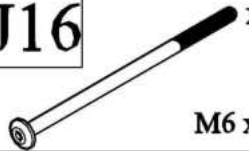

x2

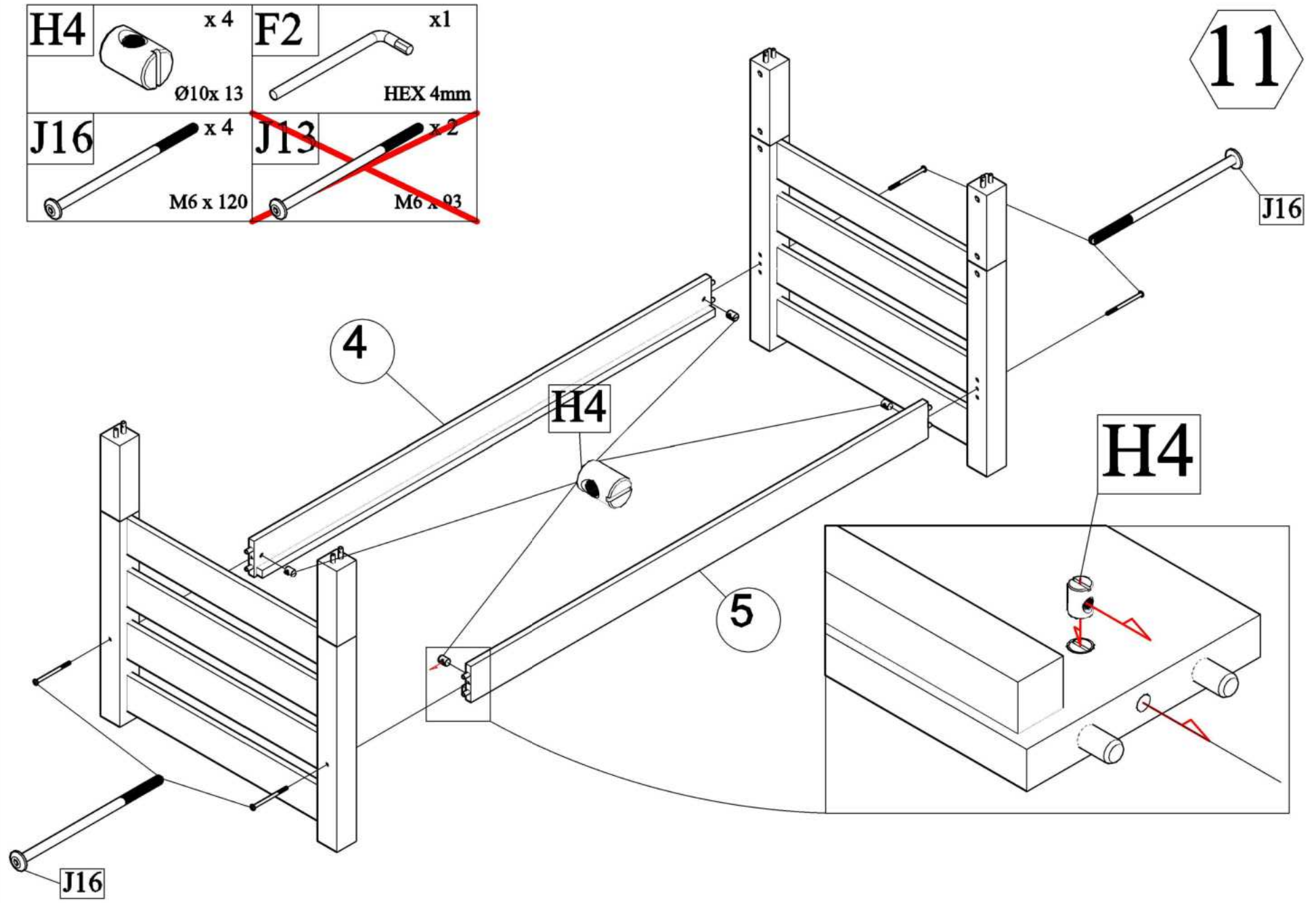
100%



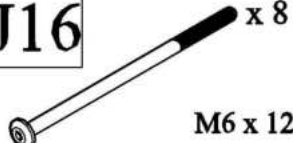
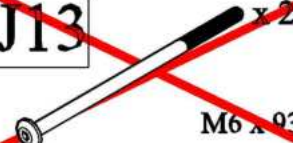
100%

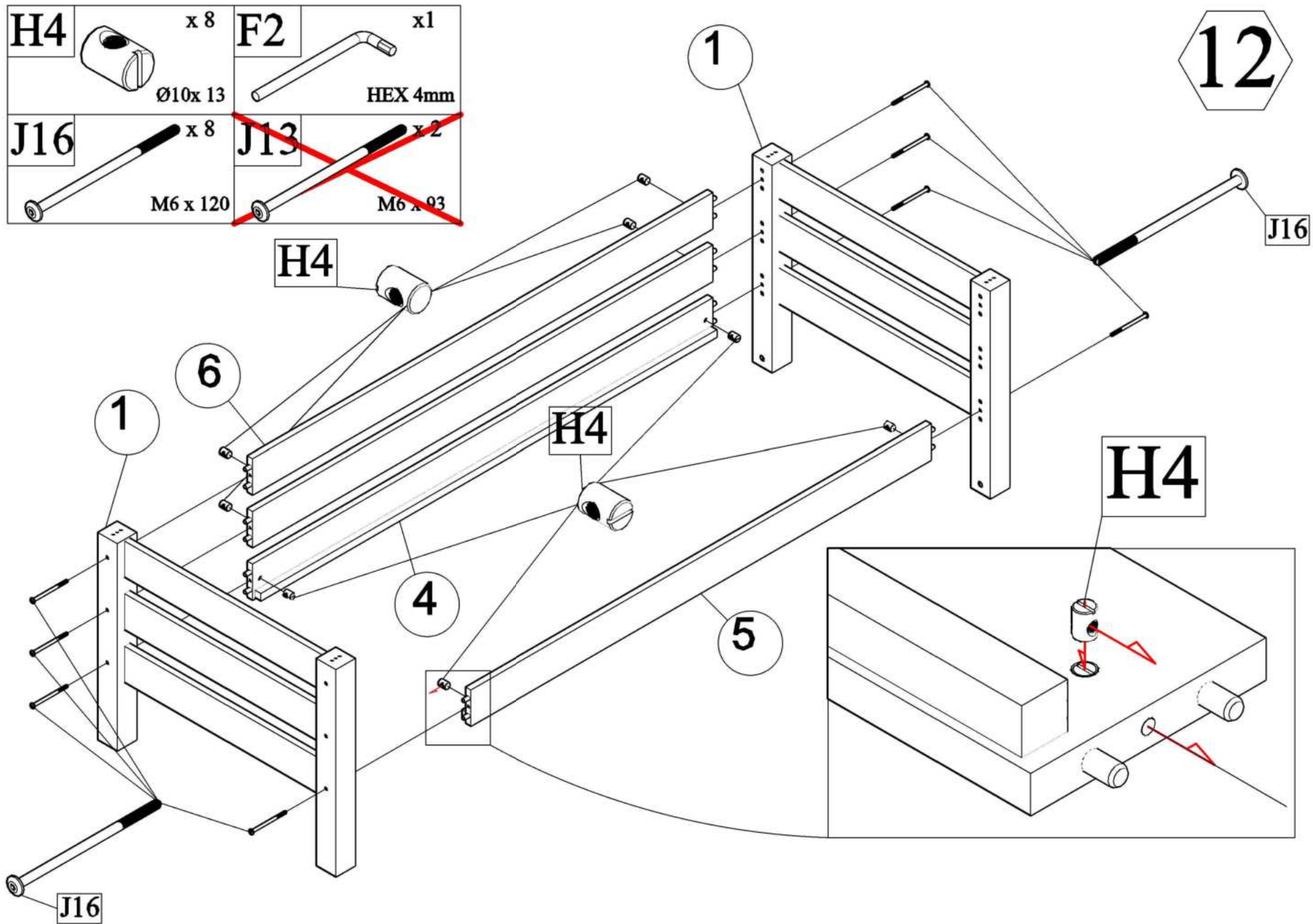
2

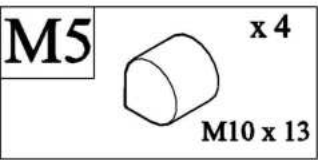
10/24

H4	 Ø10x 13	F2	 HEX 4mm
J16	 M6 x 120	J13	 M6 x 93



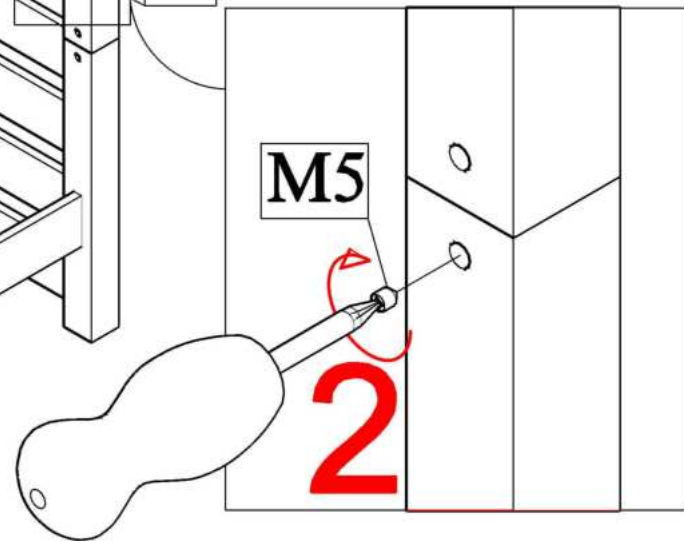
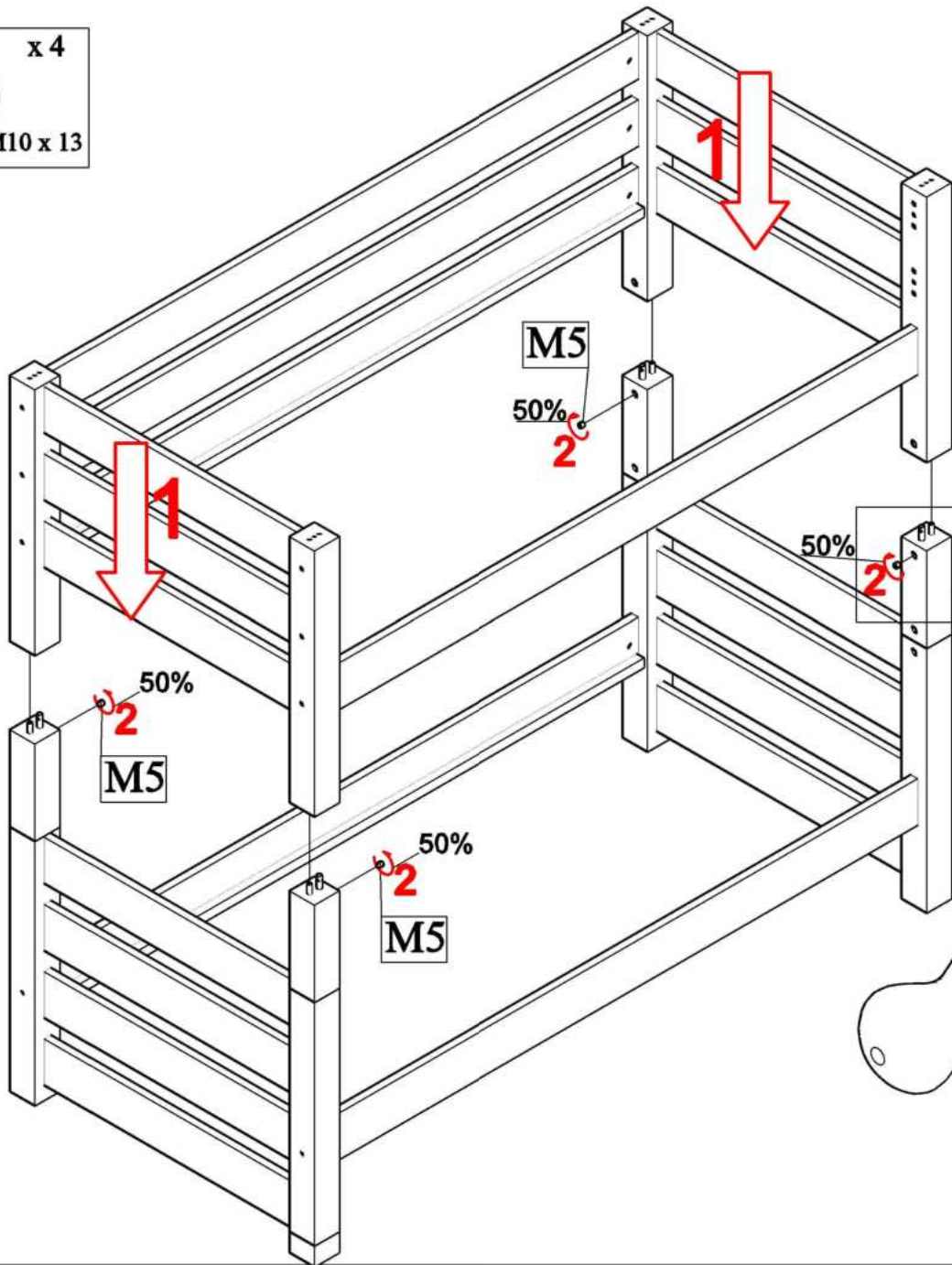
H4	 x 8	F2	 x1
	Ø10x 13		HEX 4mm
J16	 x 8	J13	 x 2
	M6 x 120		M6 x 93



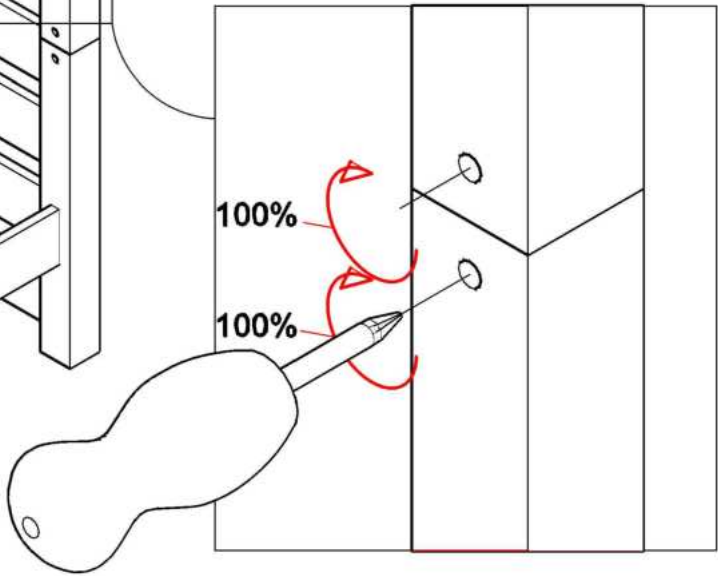
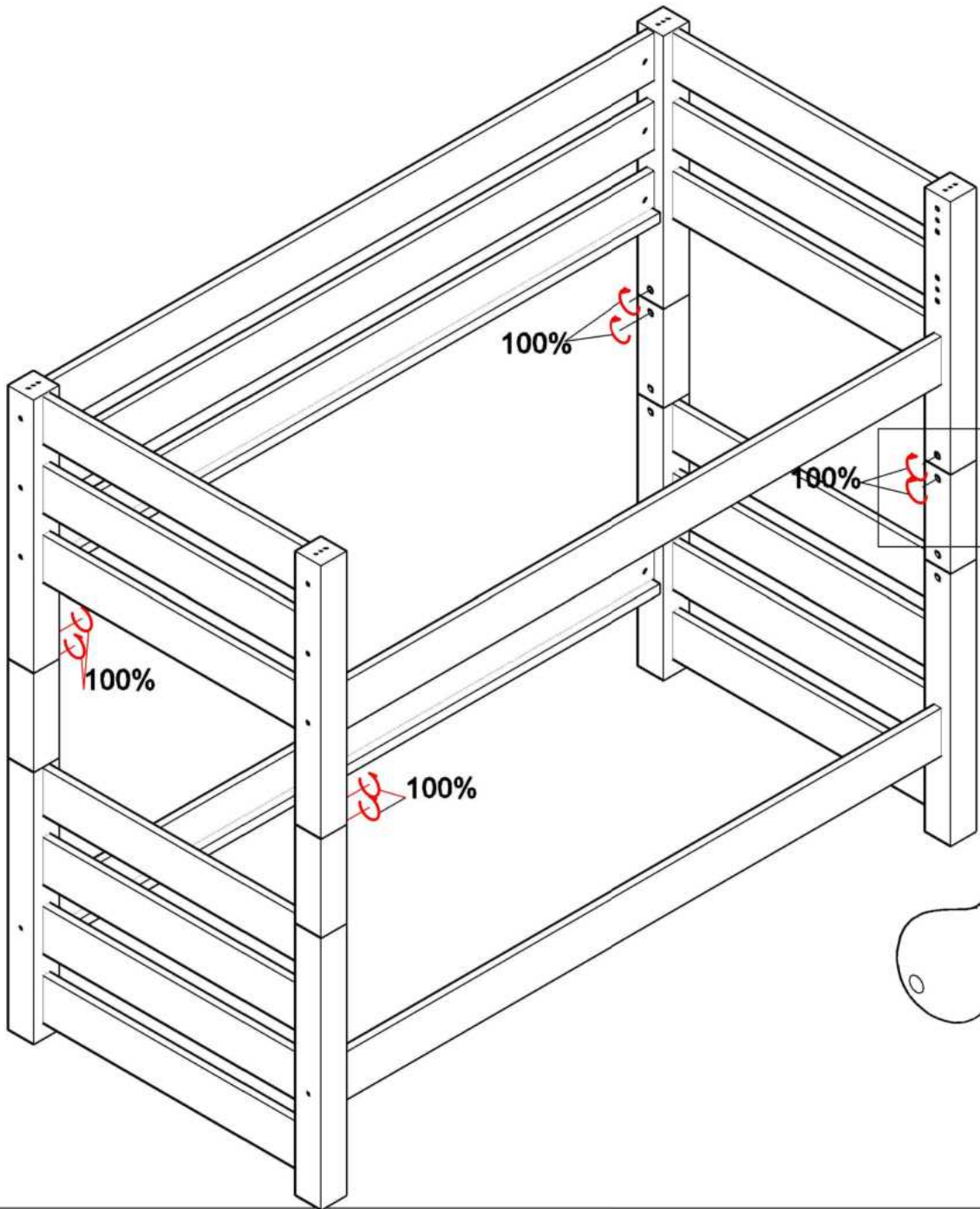


13

12/24

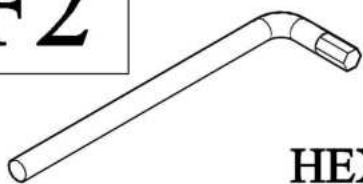


13/24



F2

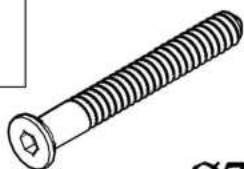
x1



HEX 4mm

C3

x16



Ø7 x 50

15

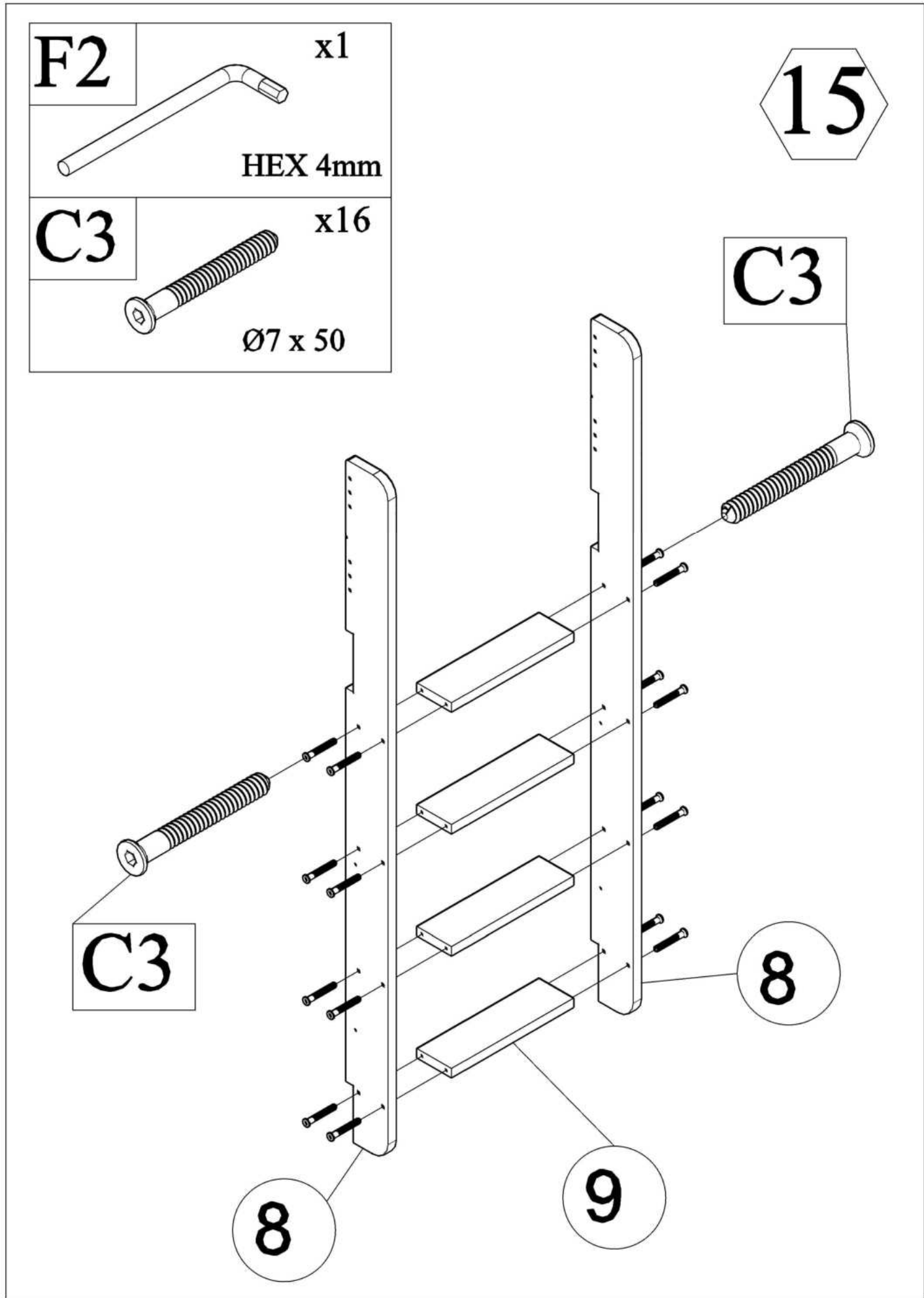
C3

C3

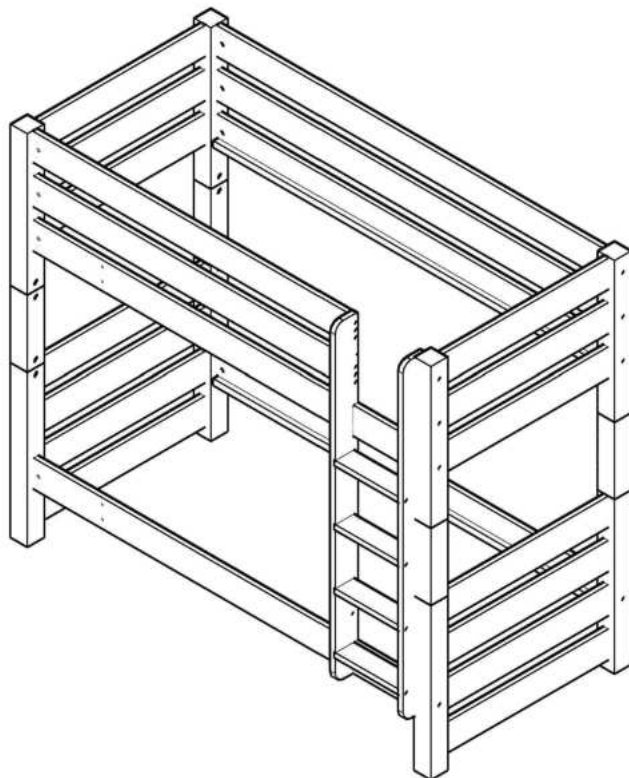
8

9

8

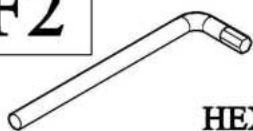


R



F2

x1



HEX 4mm

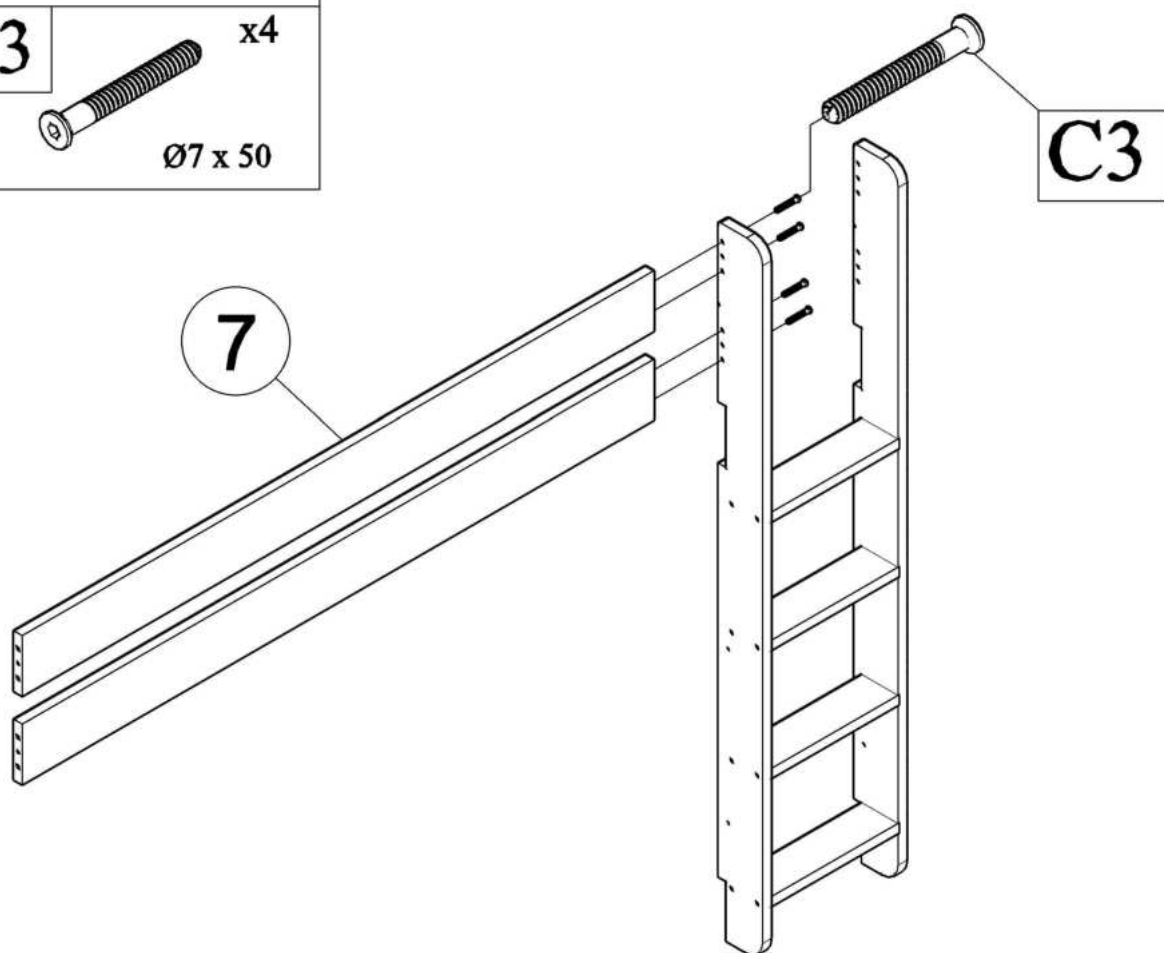
C3

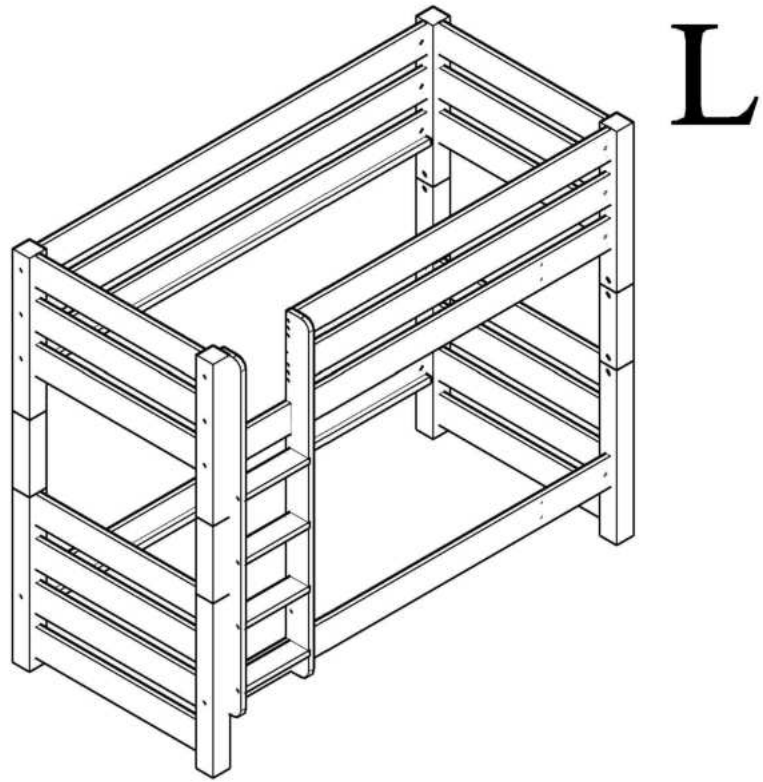
x4



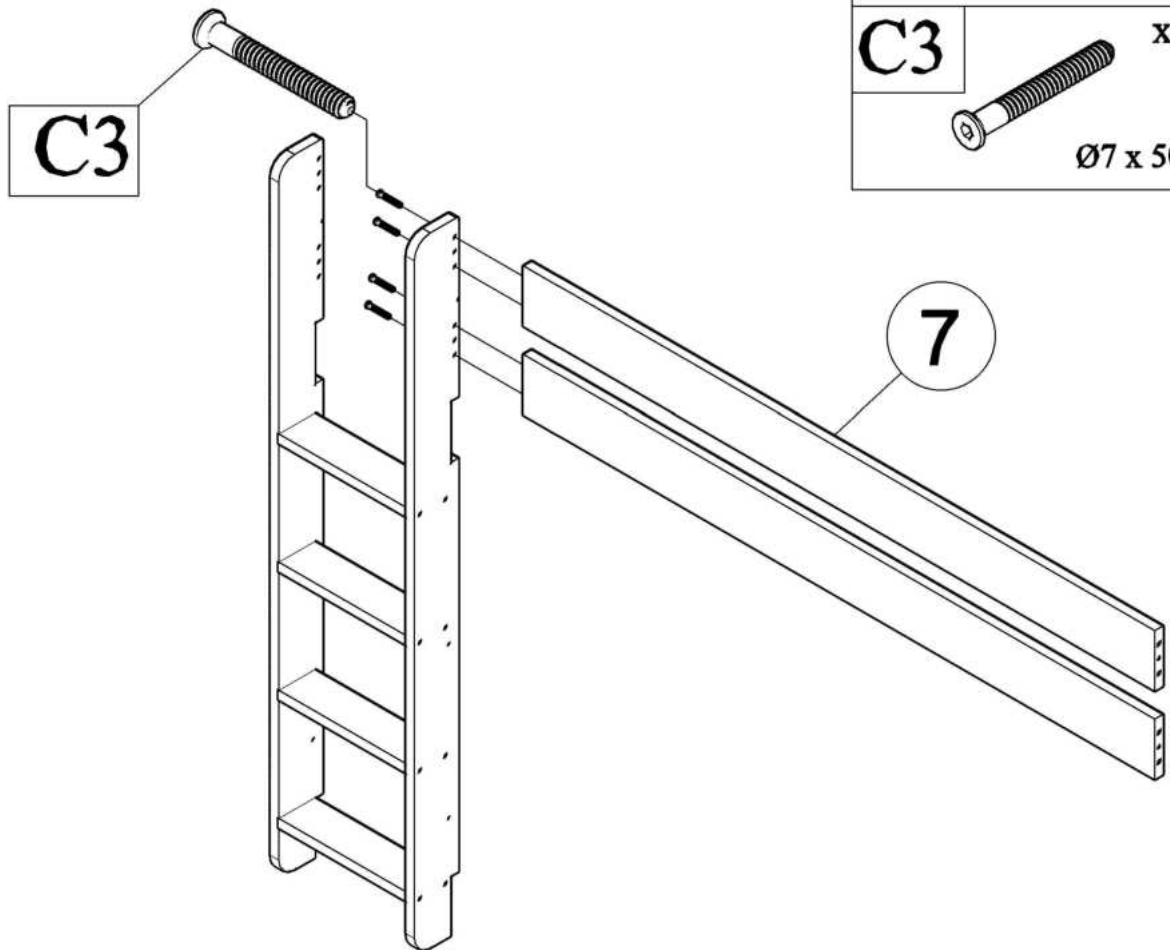
Ø7 x 50

16 R

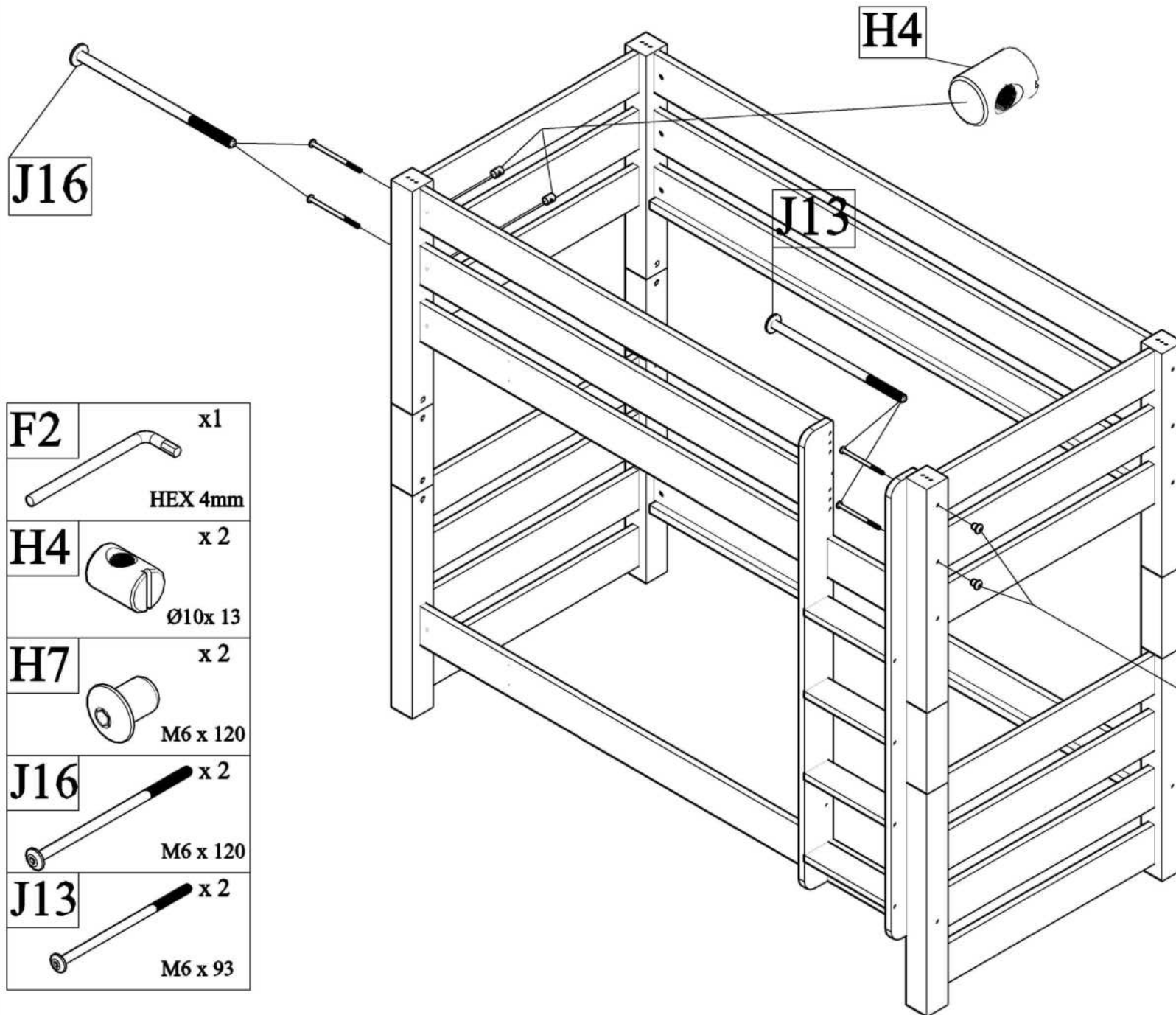







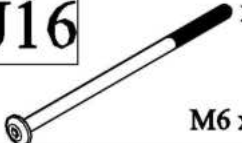

16 L

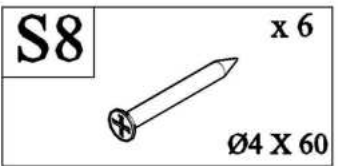


17R

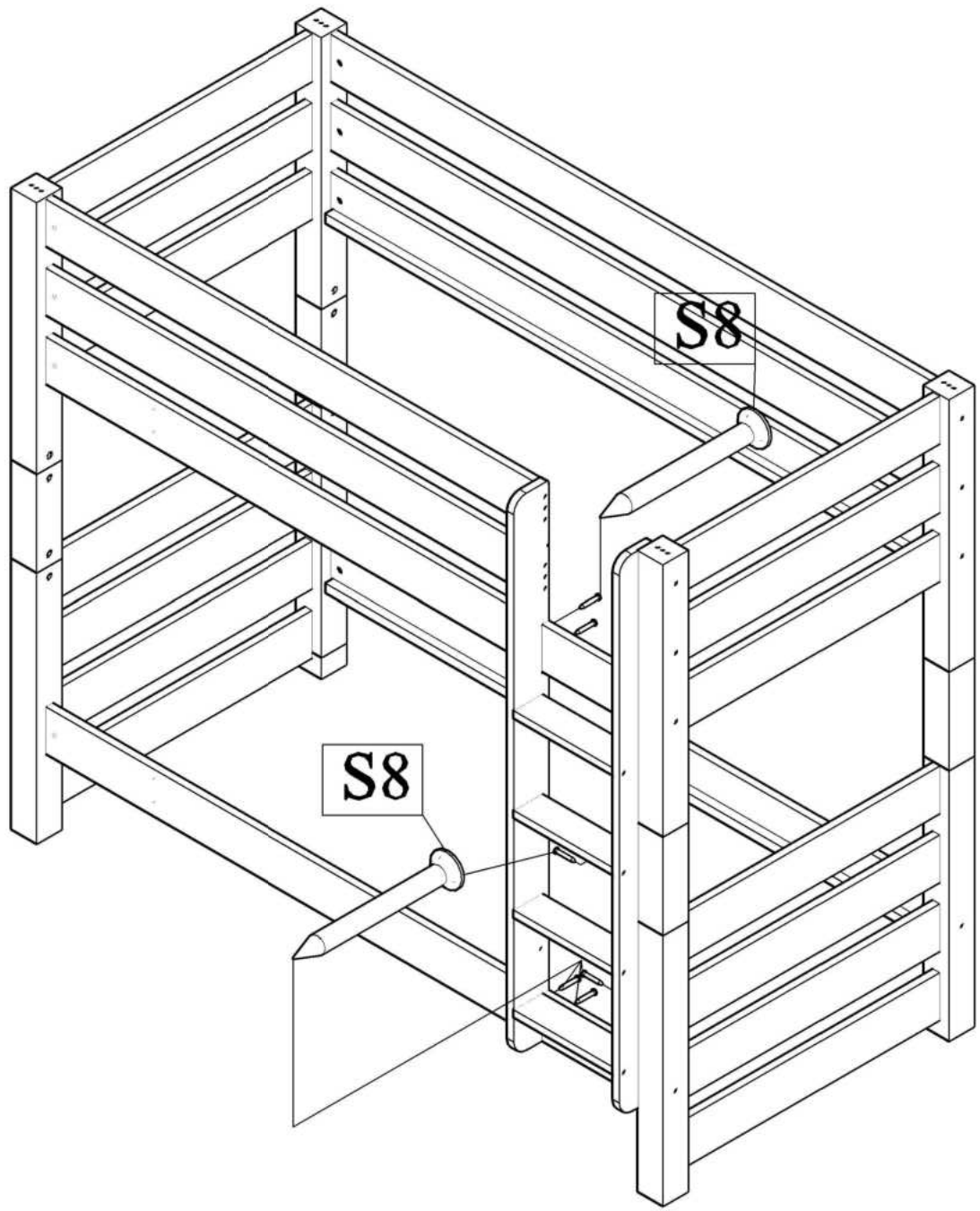


17/24

F2	x1
	
	HEX 4mm
H4	x 2
	
	Ø10x 13
H7	x 2
	
	M6 x 120
J16	x 2
	
	M6 x 120
J13	x 2
	
	M6 x 93



18R



18/24

17L

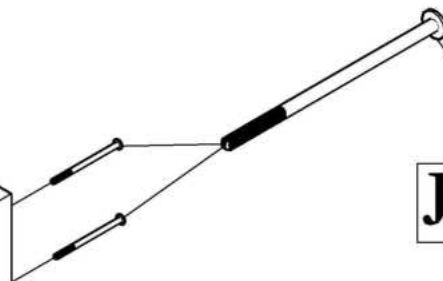
H4



J13



J16



H7



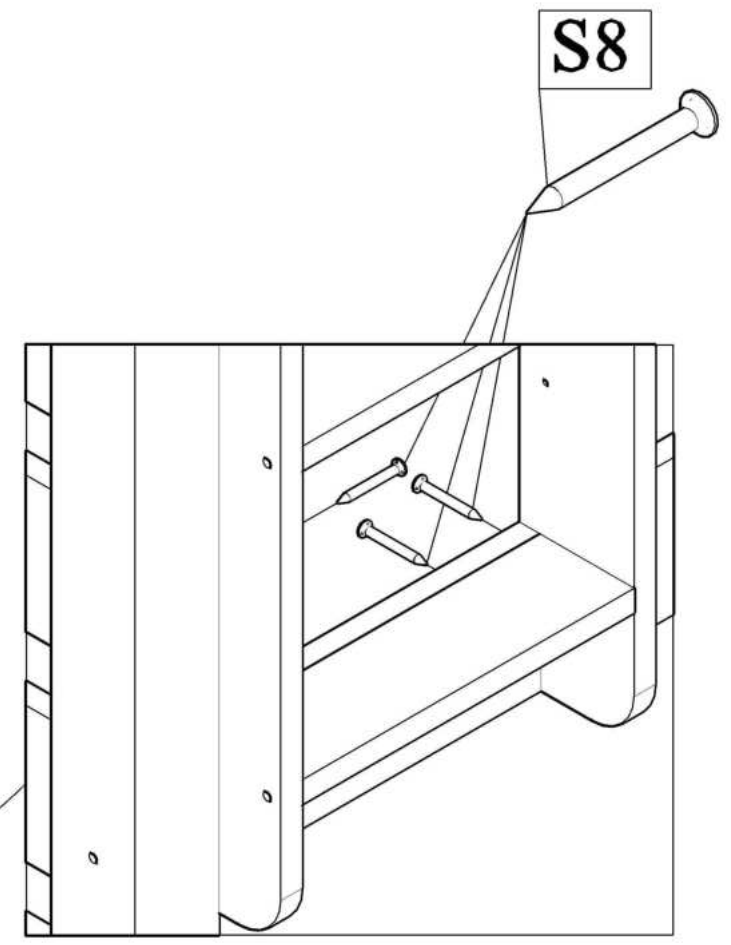
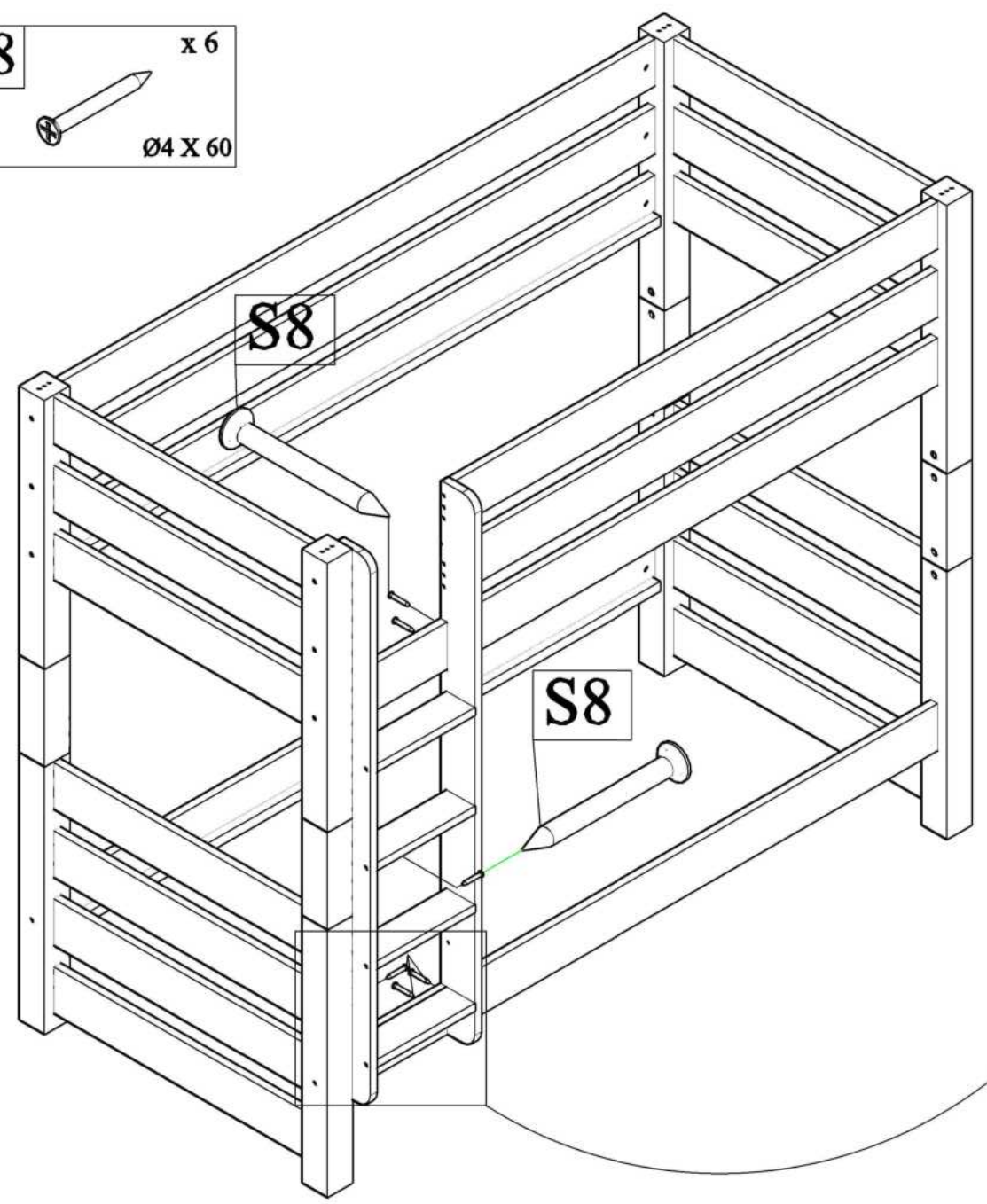
19/24

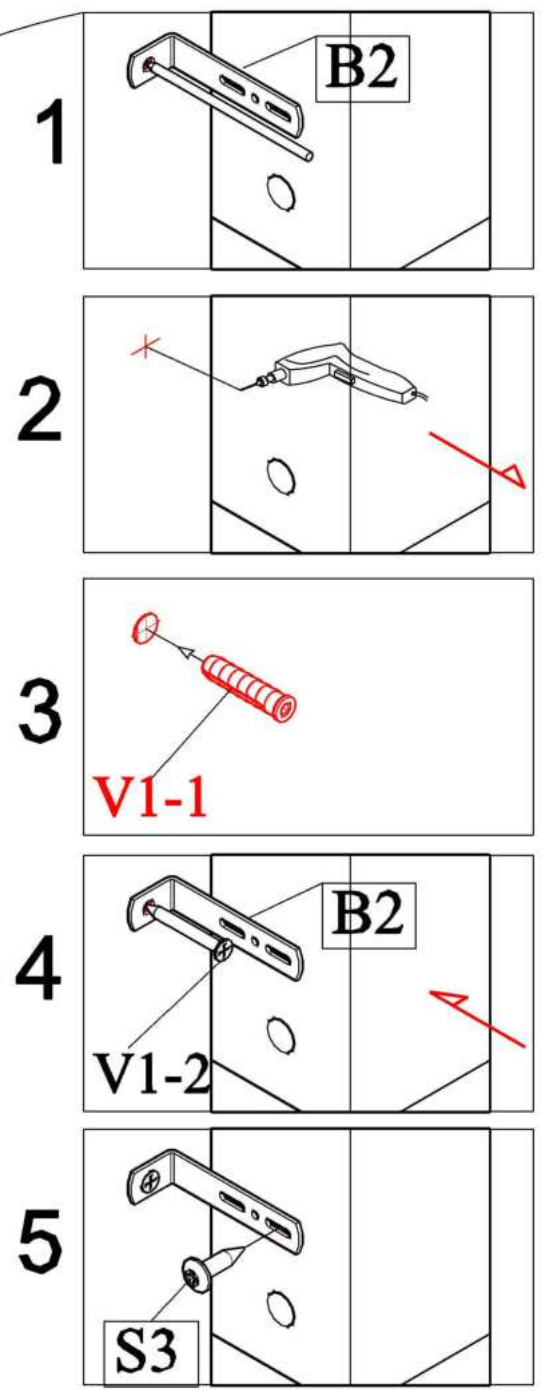
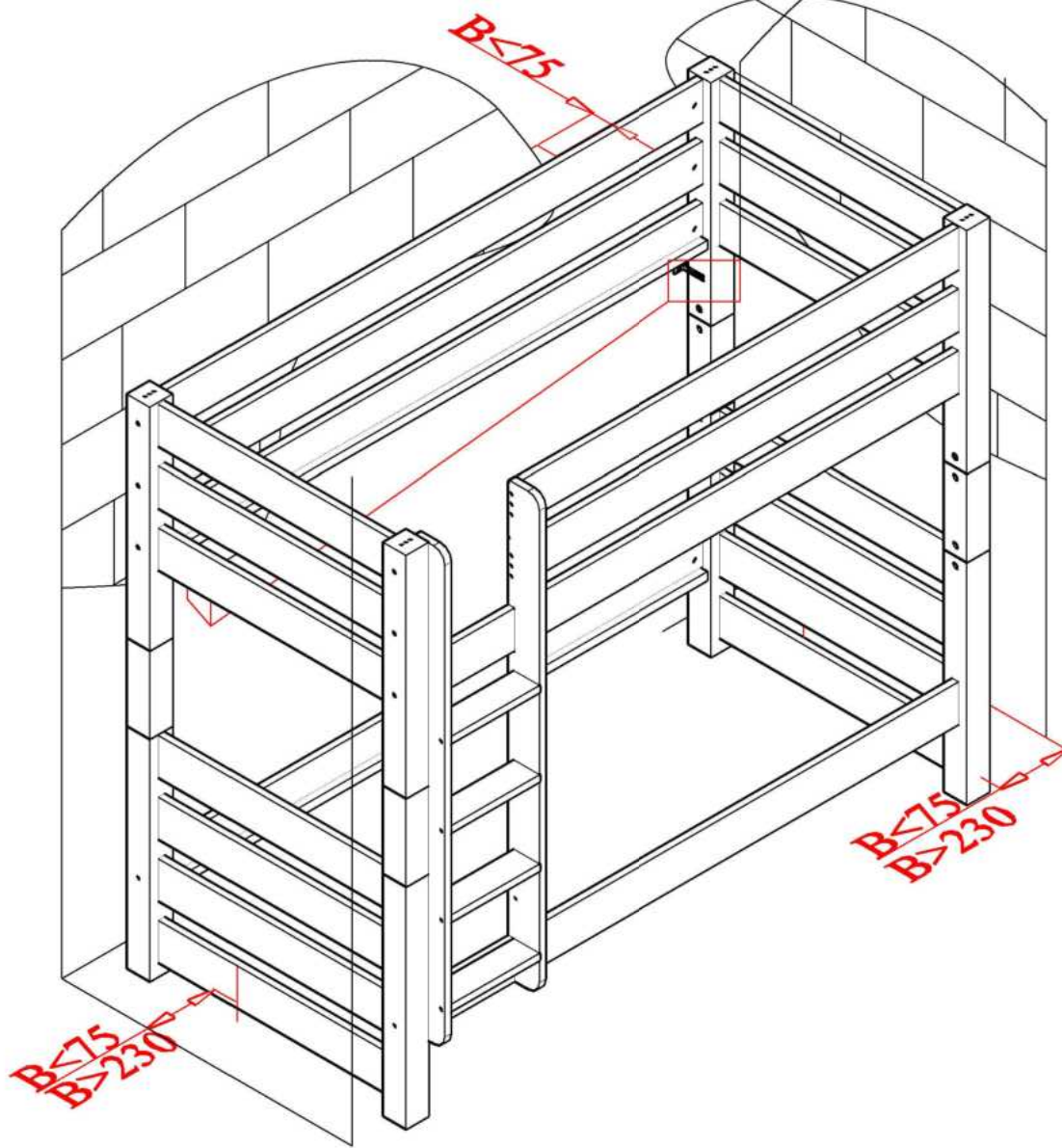
F2	x1	
		HEX 4mm
H4	x 2	
		Ø10x 13
H7	x 2	
		M6 x 120
J16	x 2	
		M6 x 120
J13	x 2	
		M6 x 93


S8 x 6
Ø4 X 60


18L

20/24

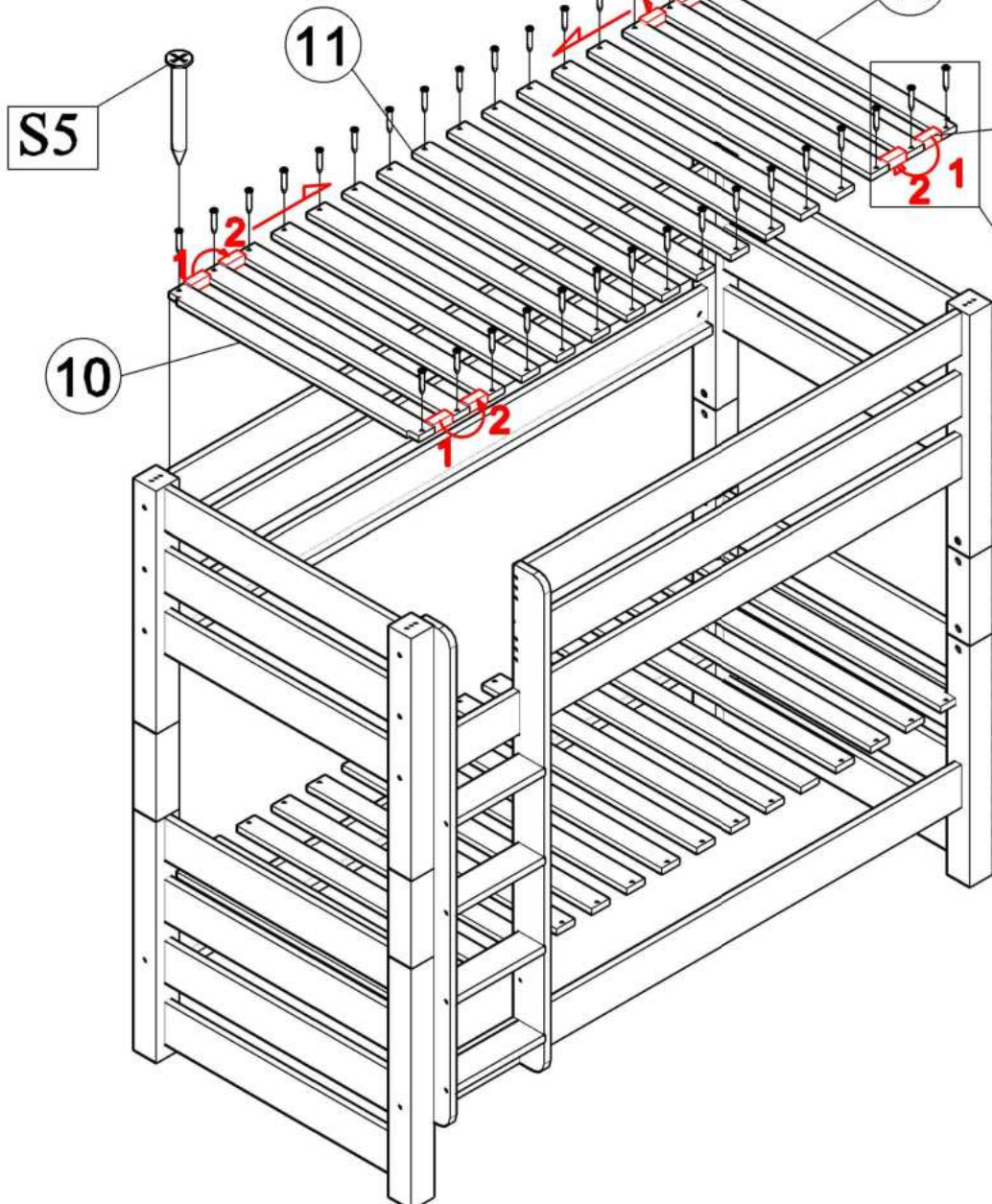




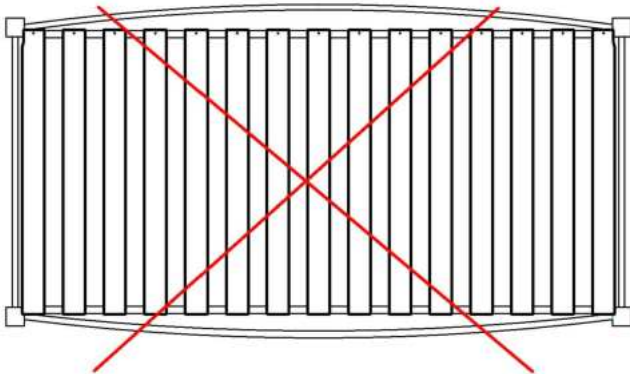
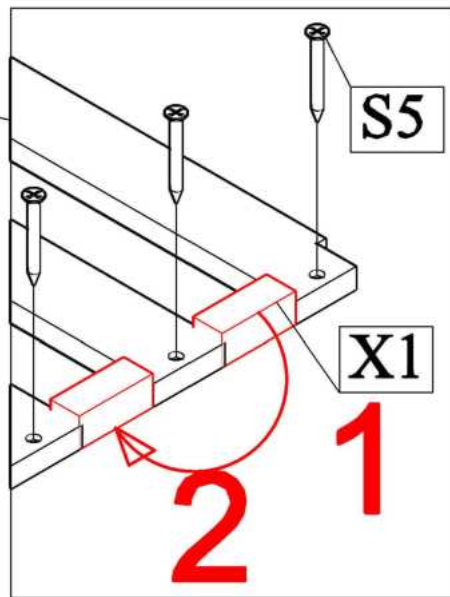
S5 x 64
 $\varnothing 3,5 \times 30$

X1 x 2
 63,5 mm
 63,5x25x25

20



X1



22/24

