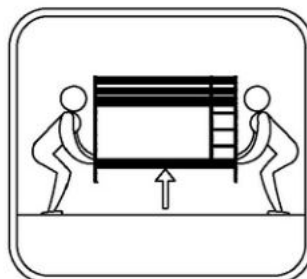
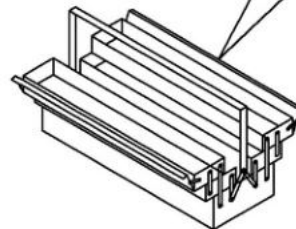
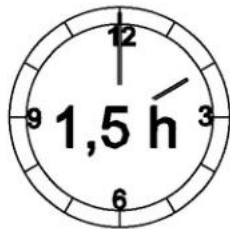
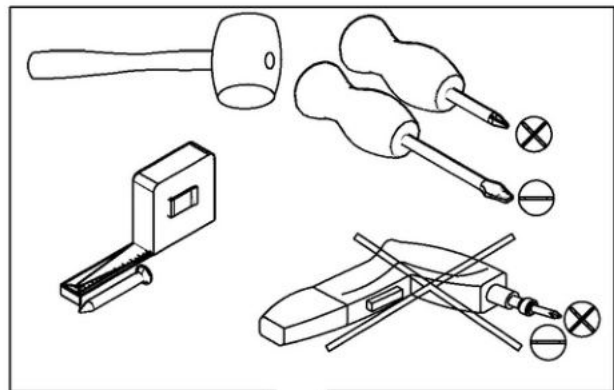
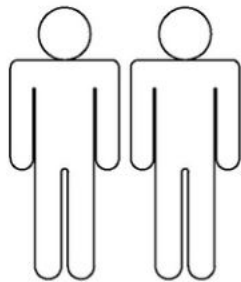
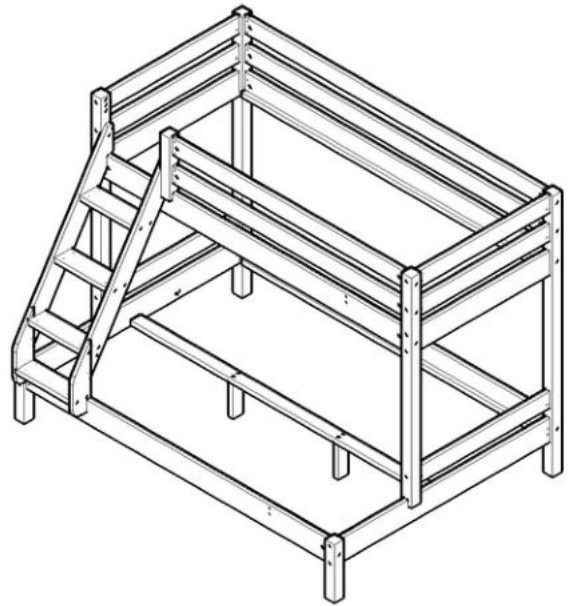
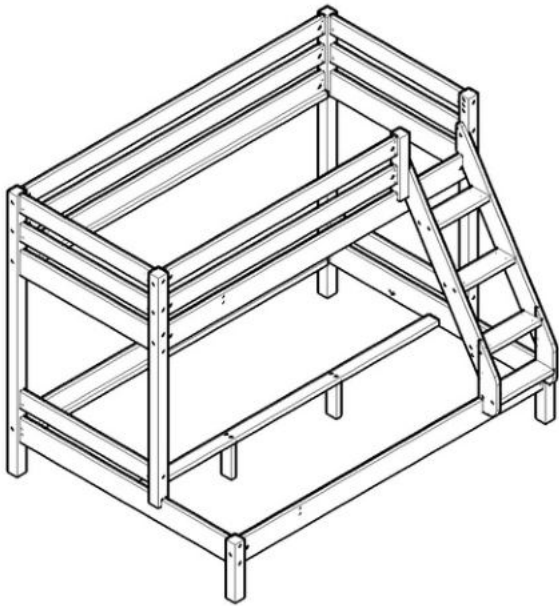
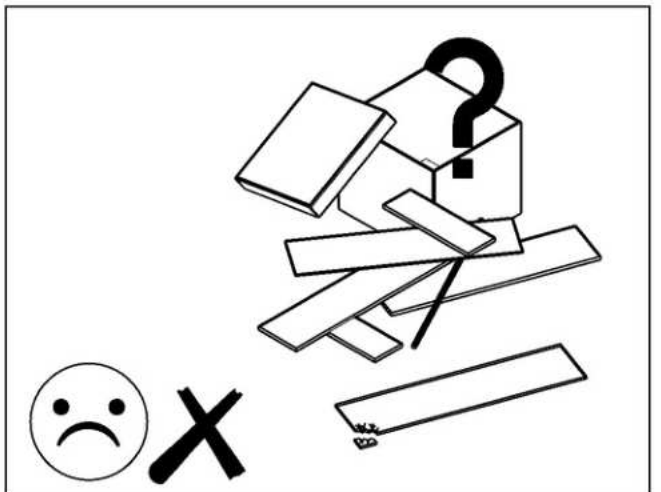
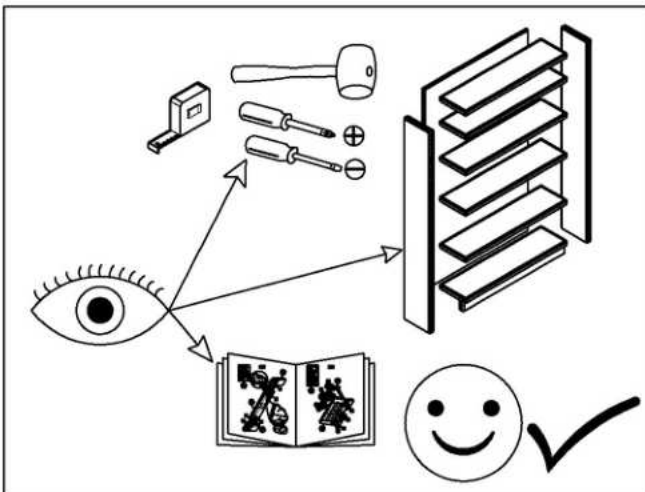
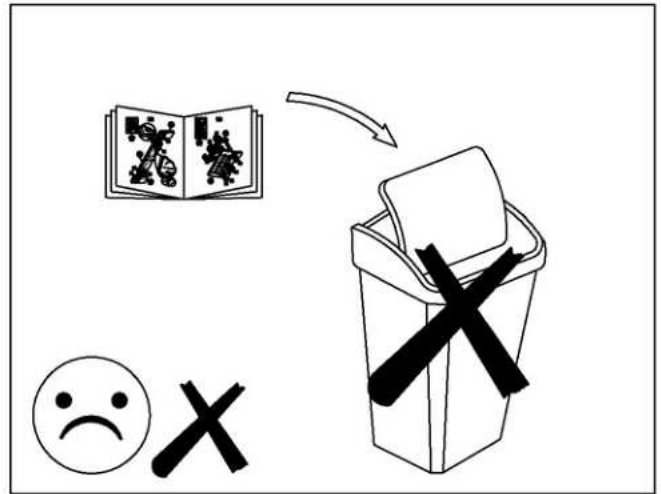
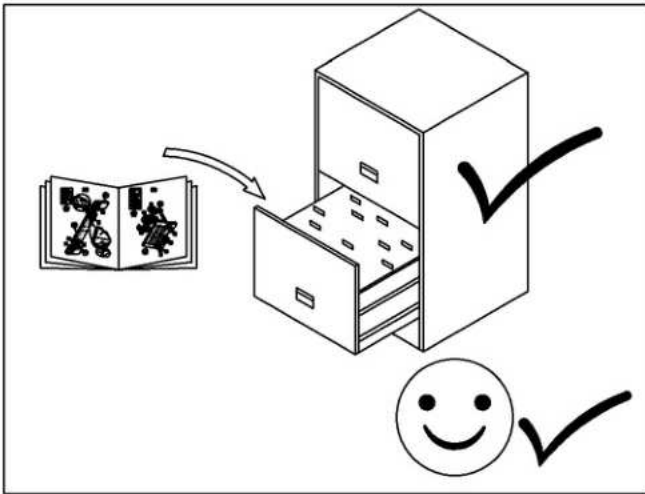
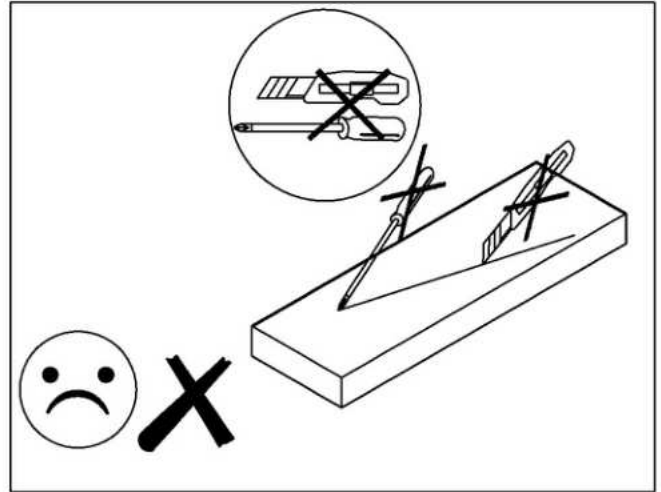
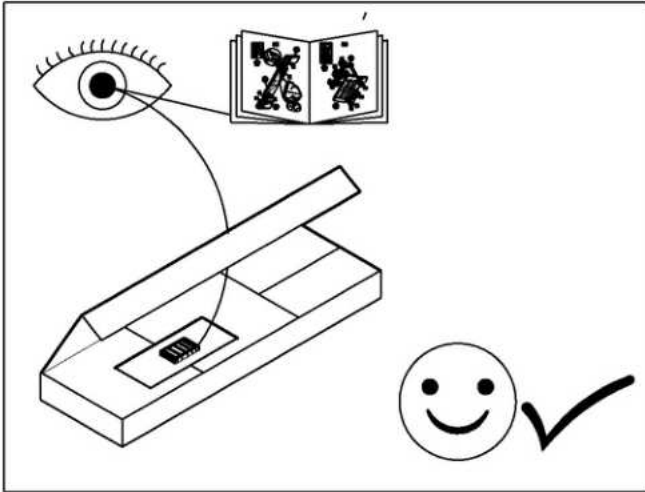
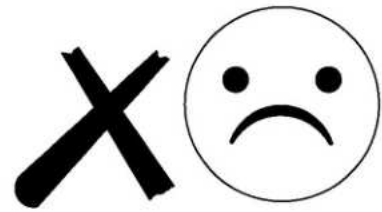
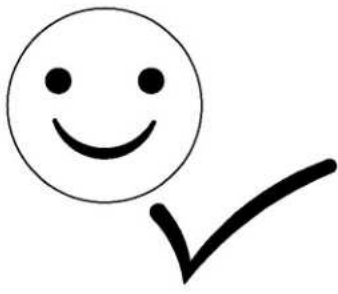
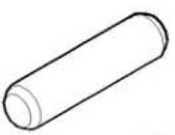


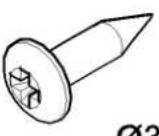

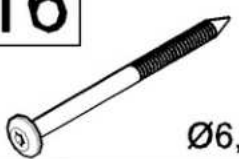




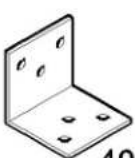





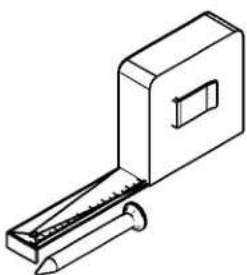


KUBA

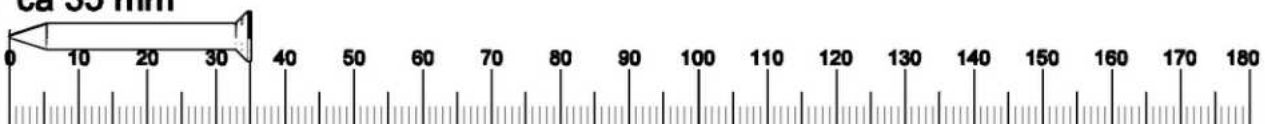


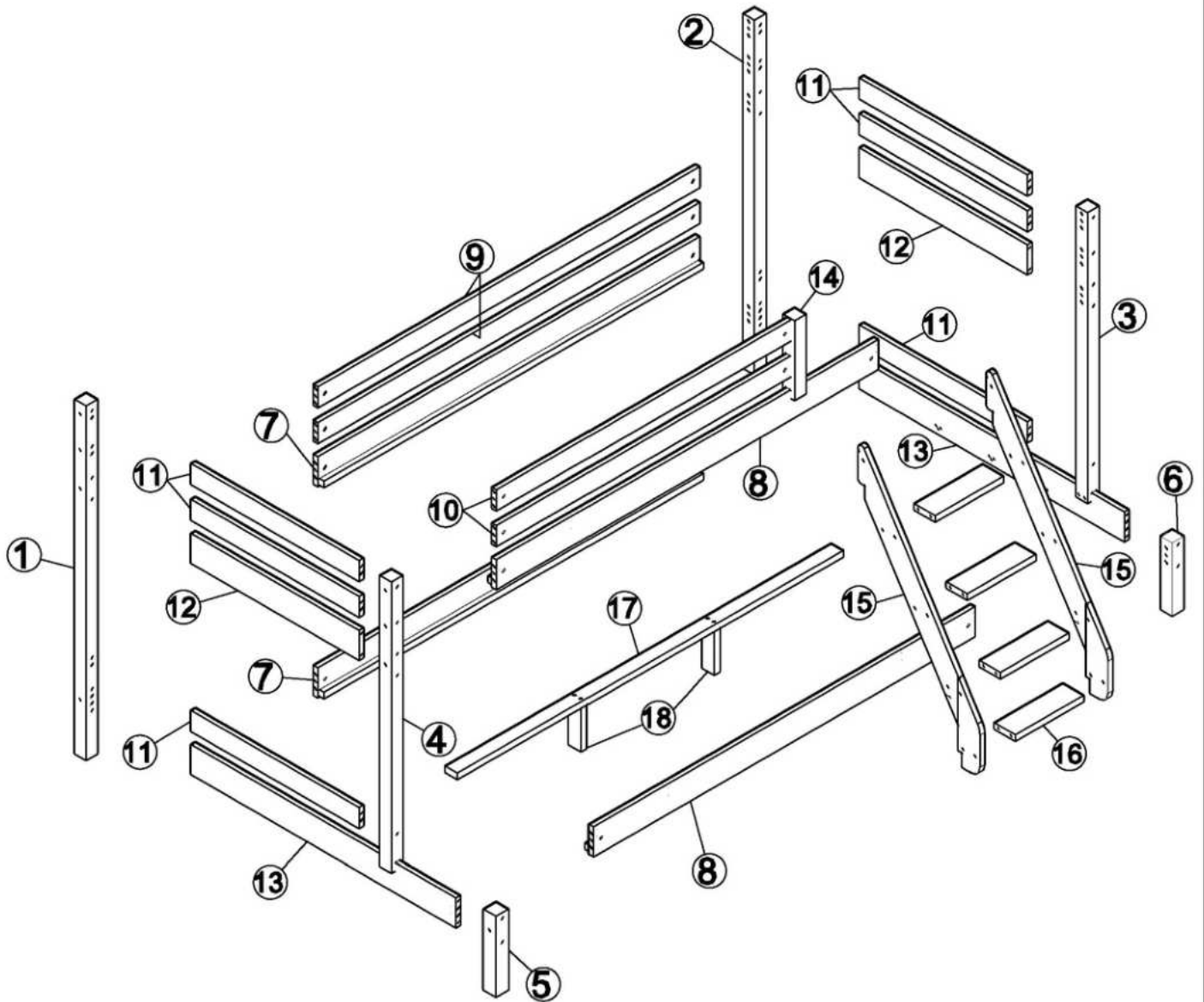


K7  x 52 Ø10 x 50	J13  x 15 M6 x 100	J15  x 1 M6 X 120
S3  x 10 Ø3,5 X 16	J9  x1 M6 X 70	S16  x 28 Ø6,3 x 110
S8  x 4 Ø4 X 60	S7  x 14 Ø4 x 50	H4  x 16 Ø10/M6 x 13
S11  x 16 Ø6,3 x 50	B3  x 2 40x40x40	Q1  x1 LEIM
F2  x 1 HEX 4 mm	D11  x2 Ø8	D9  x4 Ø10
H7  x 1 M6/Ø8 x 15		

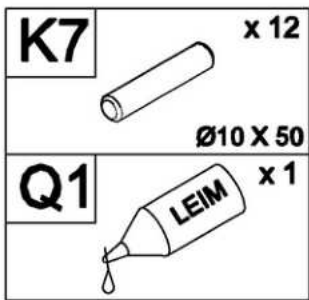
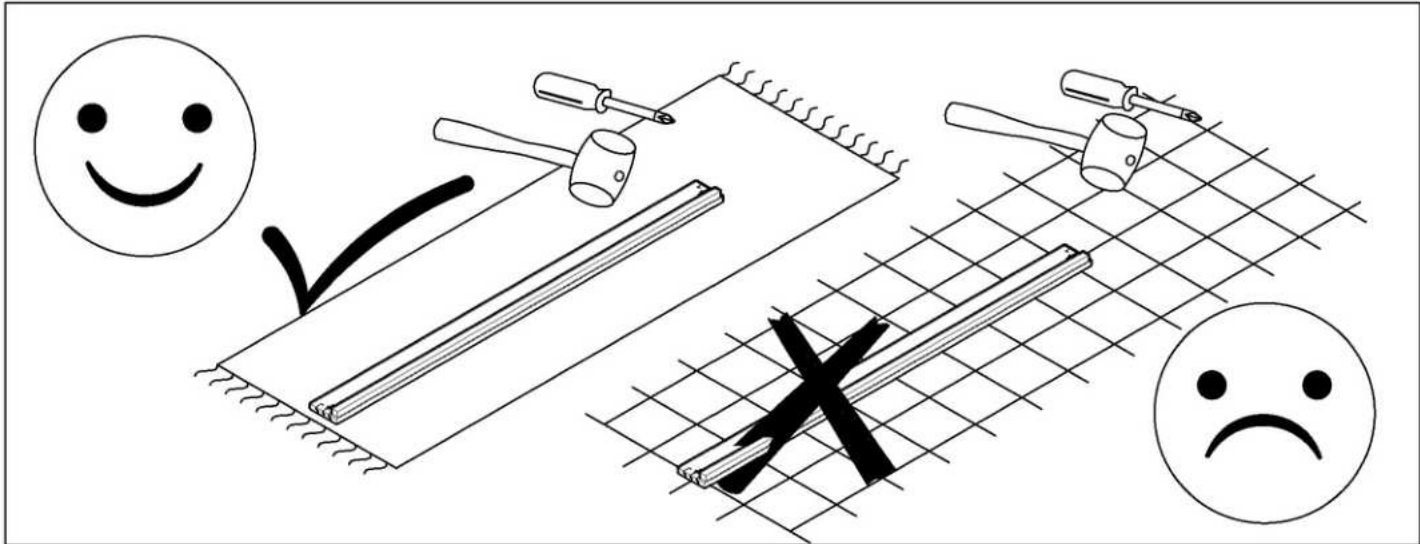


ca 35 mm



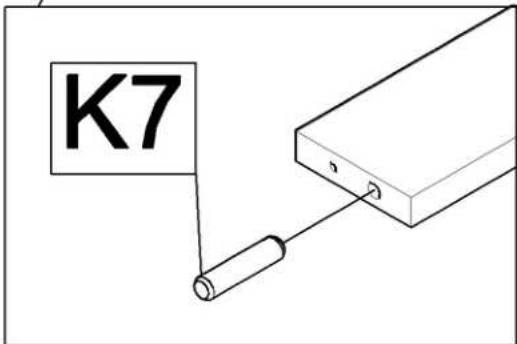


No	Σ	L X B X T(MM)	✓	No	Σ	L X B X T(MM)	✓
1	1	1590 X 56 X 56		13	2	1364 X 130 X 20	
2	1	1590 X 56 X 56		14	1	352 X 56 X 56	
3	1	1295 X 56 X 56		15	2	1075/423 X 110 X 20	
4	1	1295 X 56 X 56		16	4	350 X 105 X 25	
5	1	335 X 56 X 56		17	1	1985 X 60 X 25	
6	1	335 X 56 X 56		18	2	205 X 60 X 25	
7	2	1964 X 130 X 20					
8	2	1964 X 130 X 20					
9	2	1964 X 90 X 20					
10	2	1518 X 90 X 20					
11	6	864 X 90 X 20					
12	2	864 X 130 X 20					

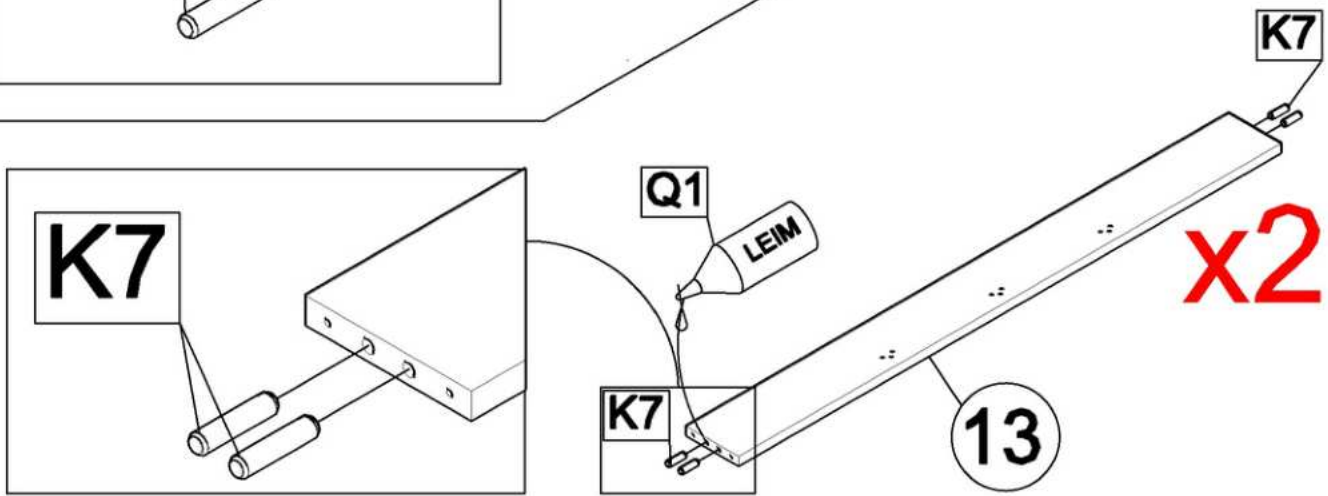


1

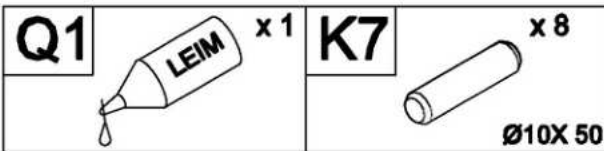
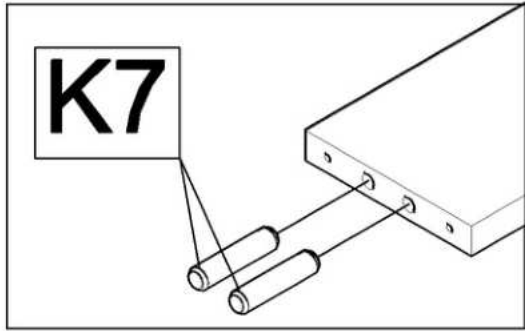
x6

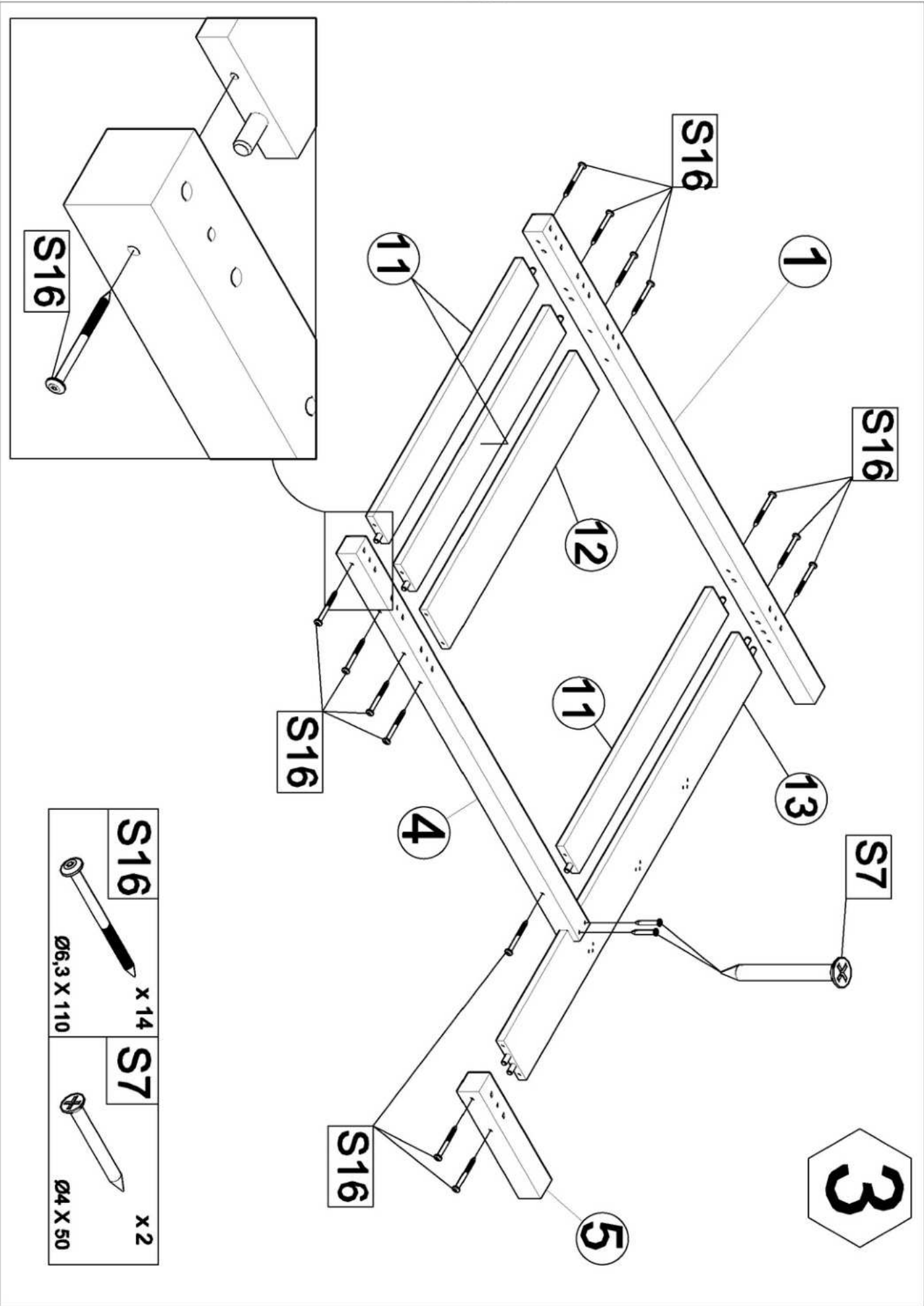


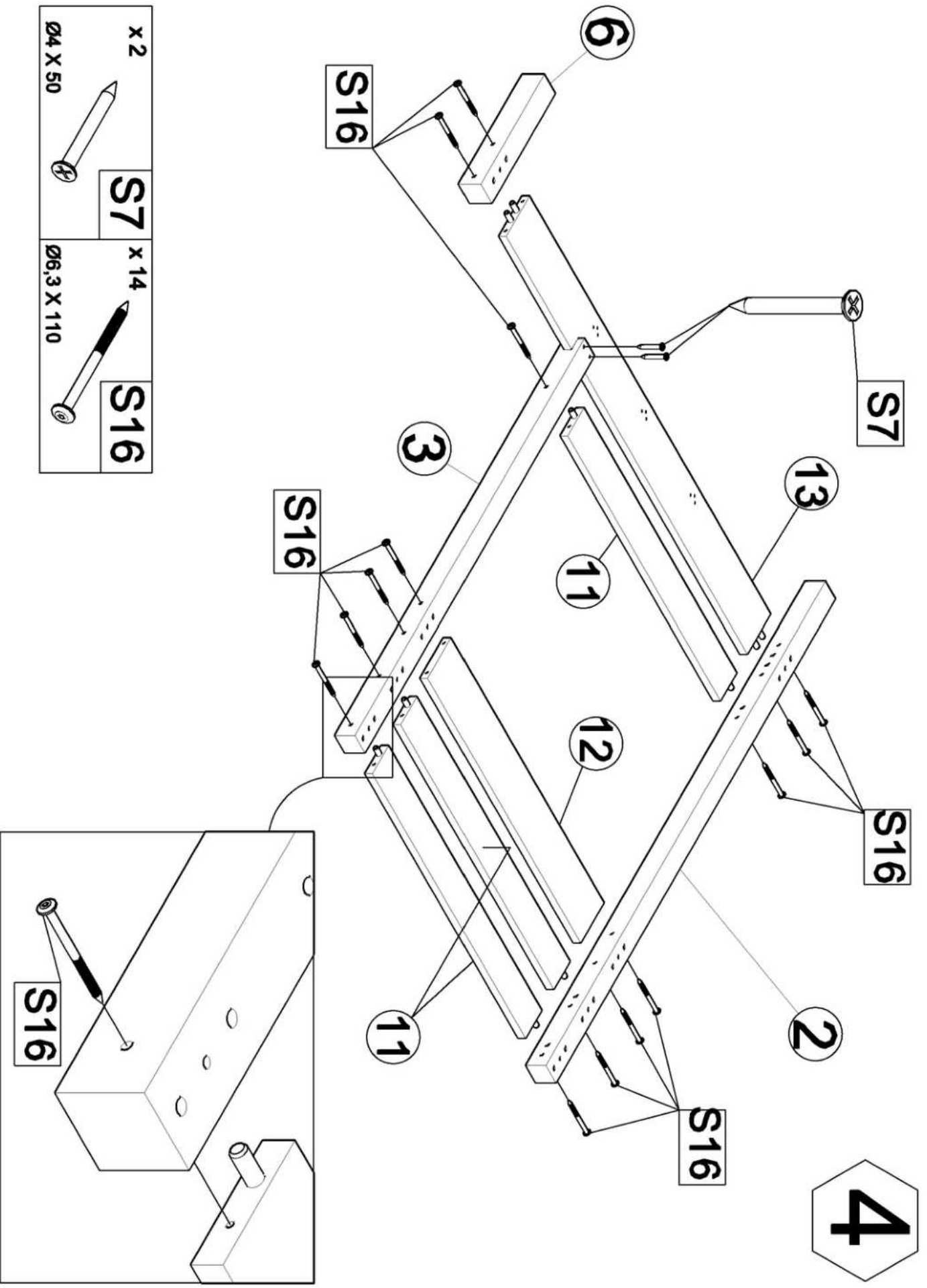
2

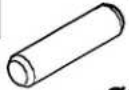



x2

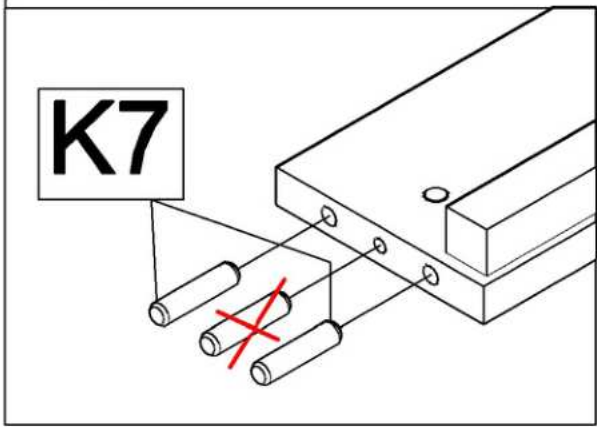
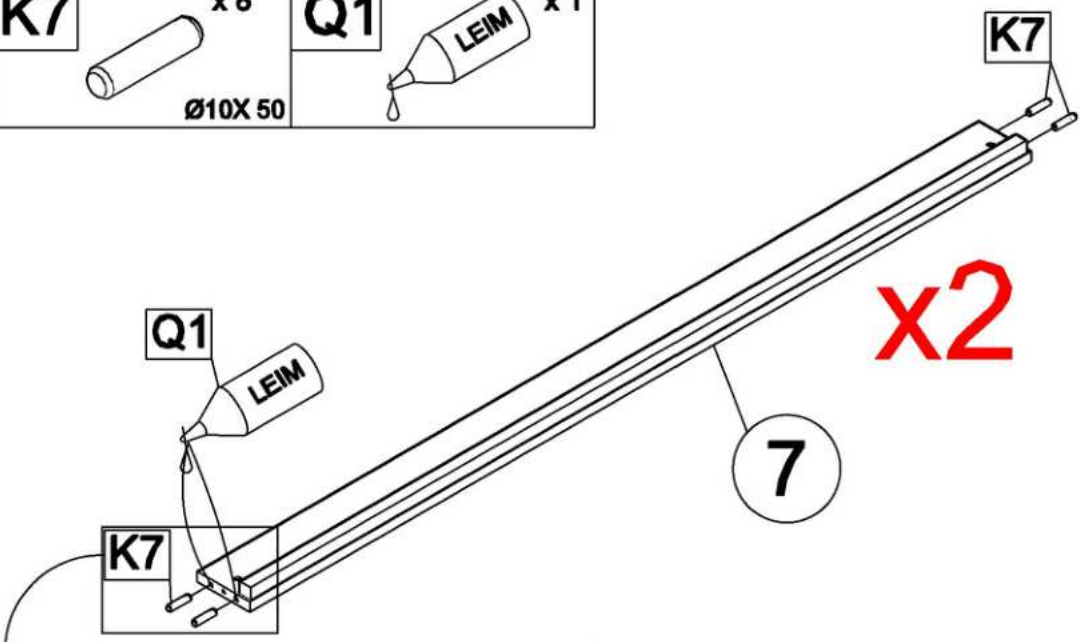




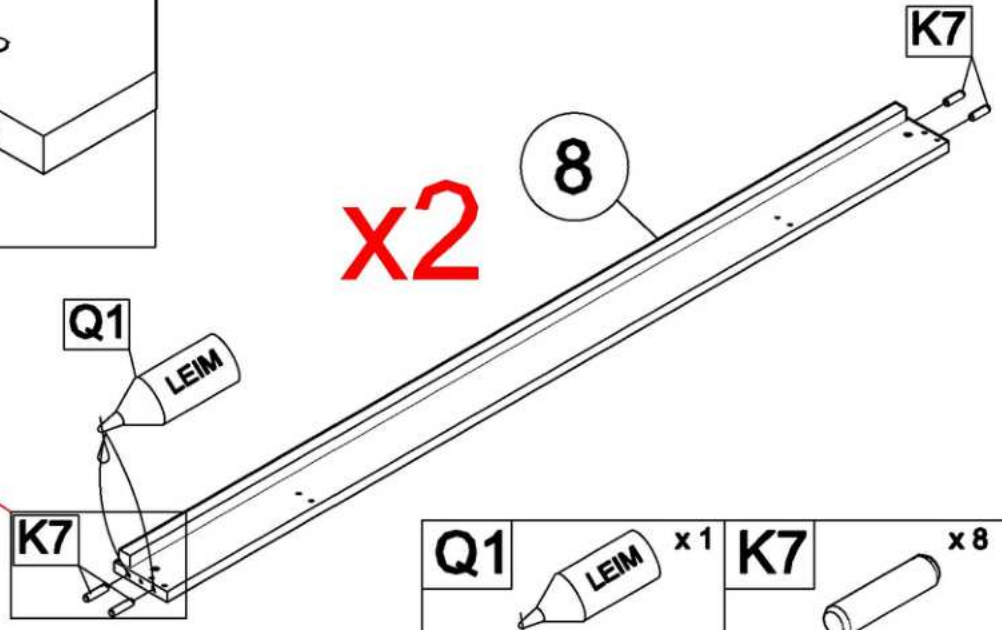
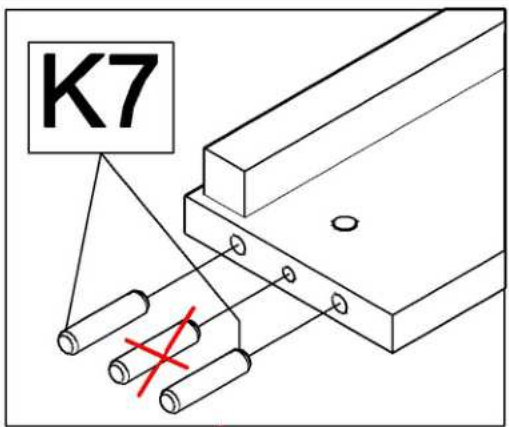


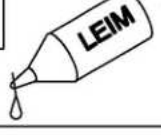
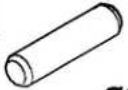
K7	x 8	Q1	x 1
			
Ø10X 50		LEIM	

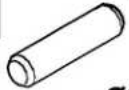

5



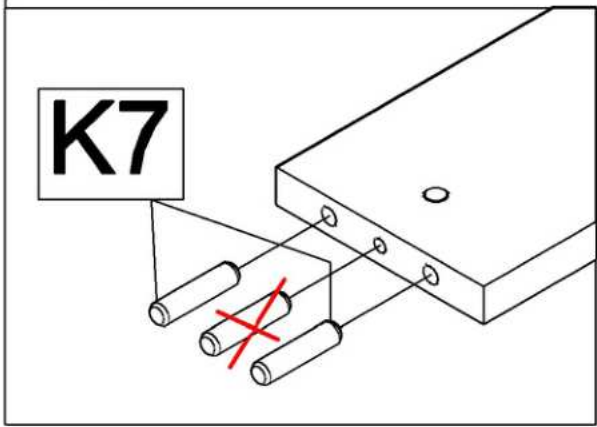
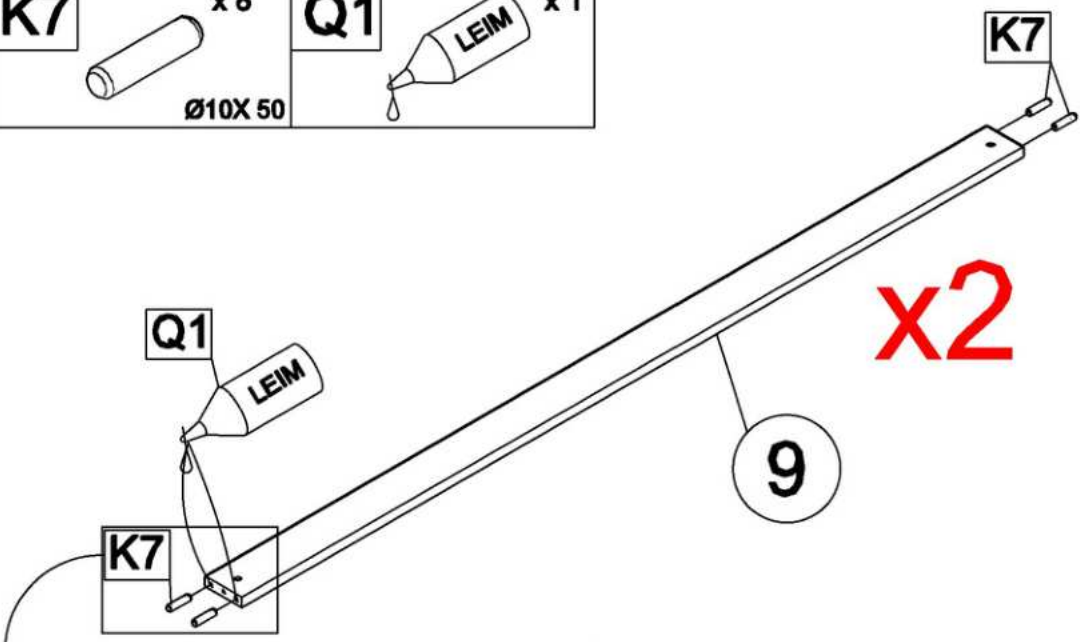
6



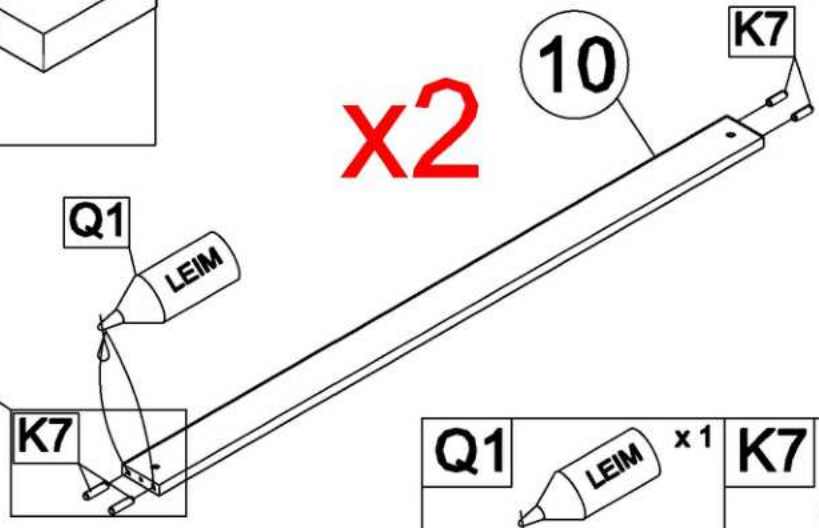
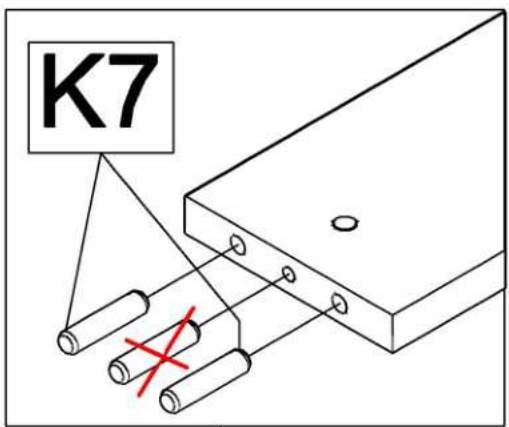
Q1	x 1	K7	x 8
			
LEIM		Ø10X 50	


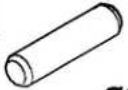
K7	x 8	Q1	x 1
			
Ø10X 50		LEIM	

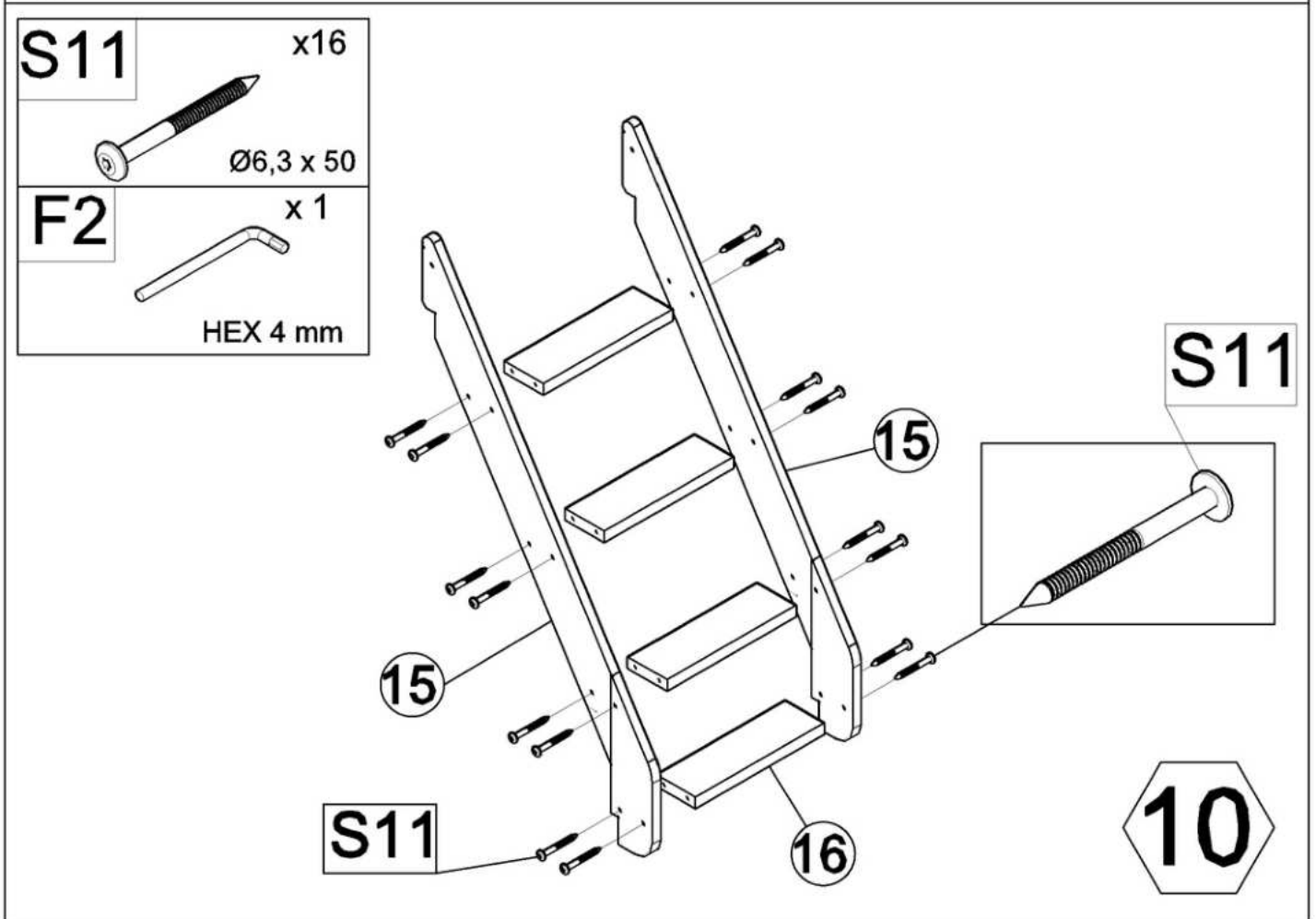
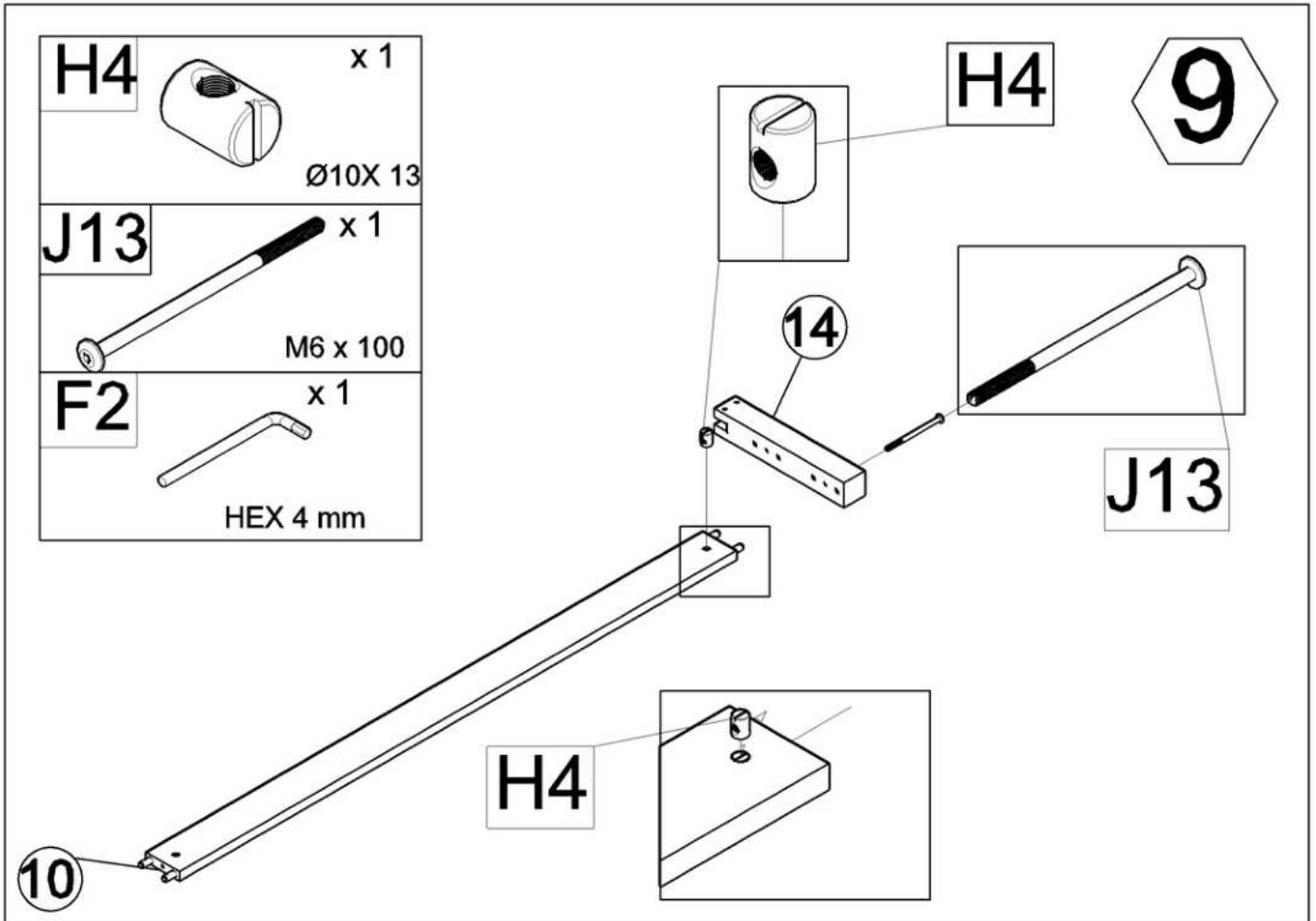
7






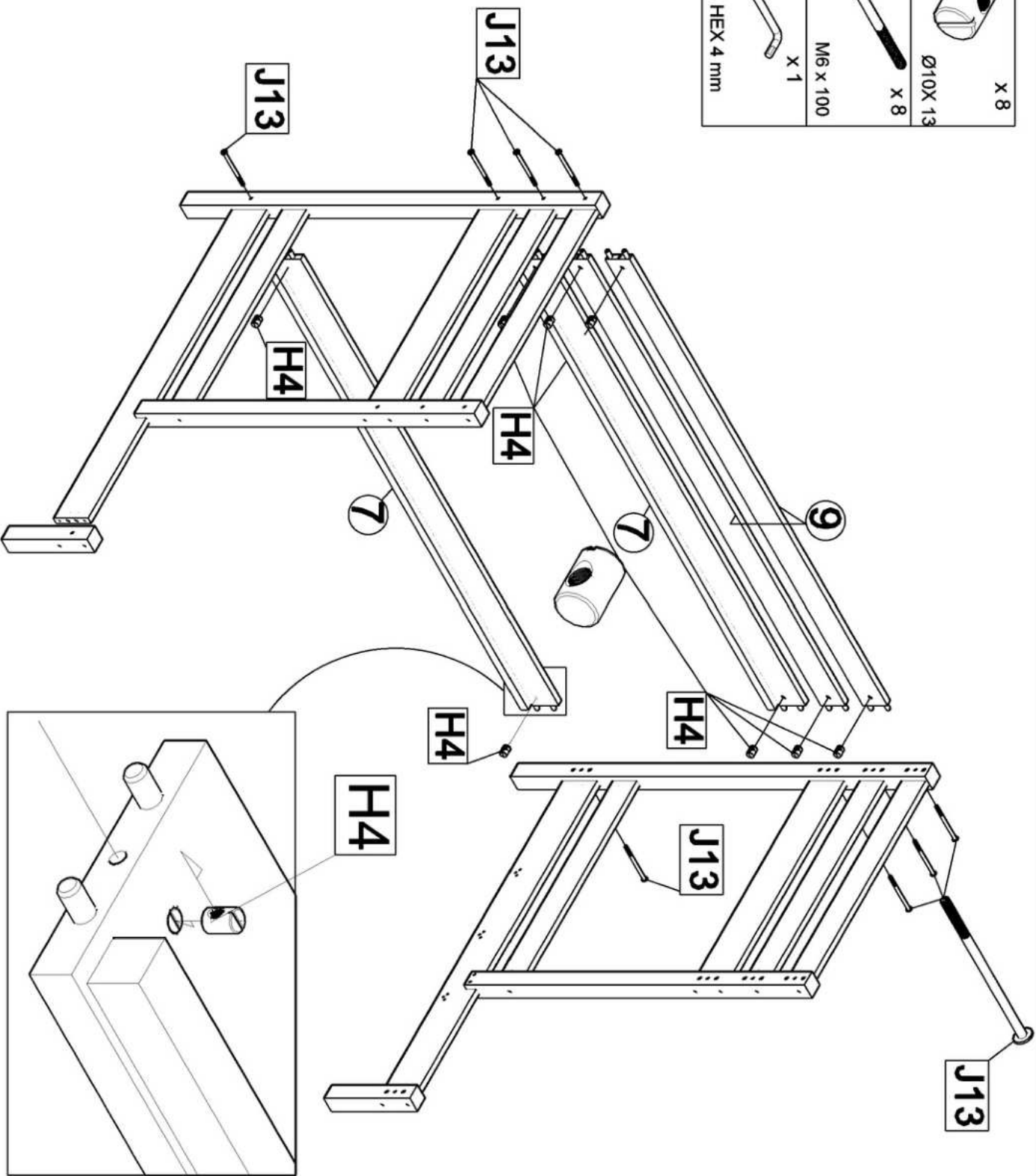
8


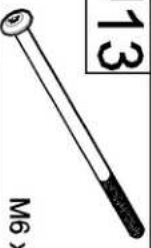



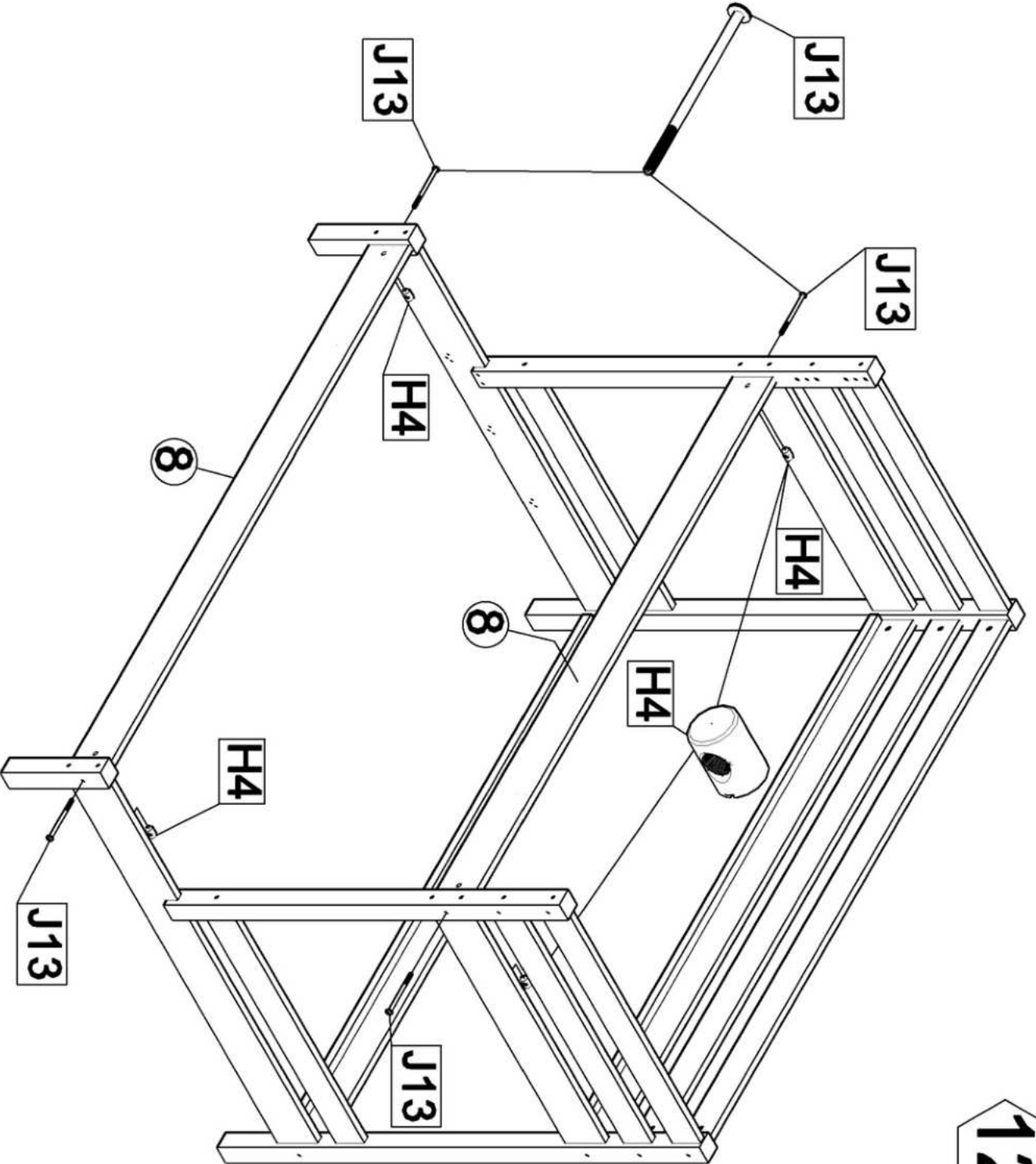
Q1	x 1	K7	x 8
			
LEIM		Ø10X 50	

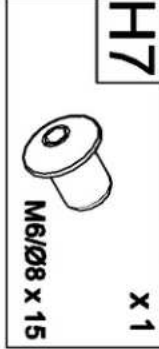
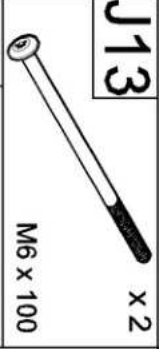
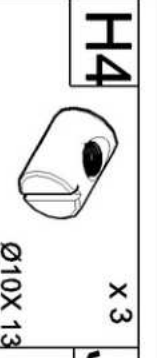
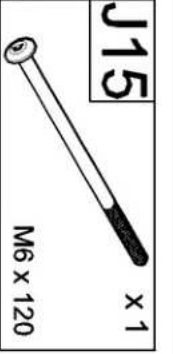
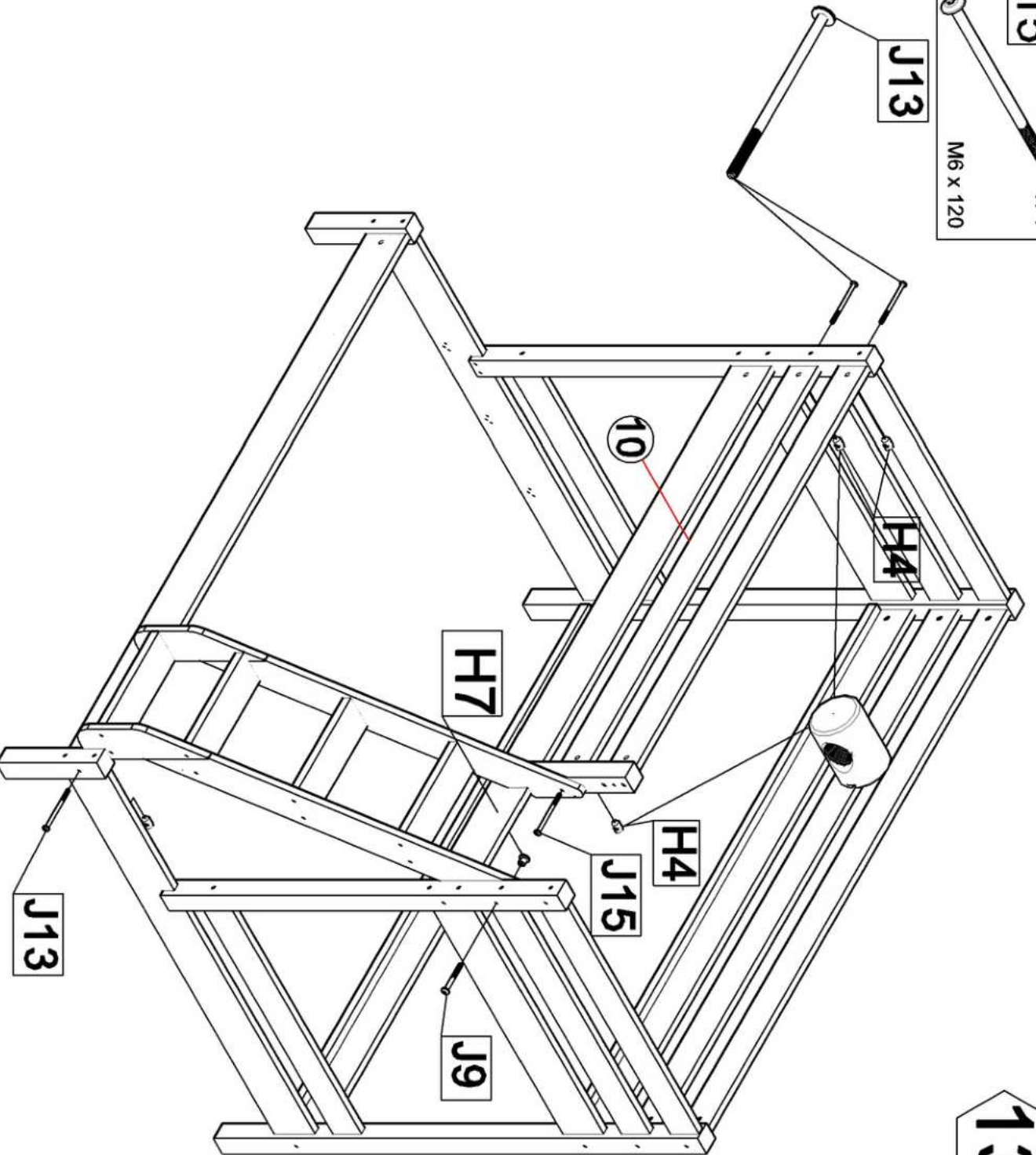


H4		x 8
J13		x 8
F2		x 1
M6 x 100		
Ø10X 13		
HEX 4 mm		

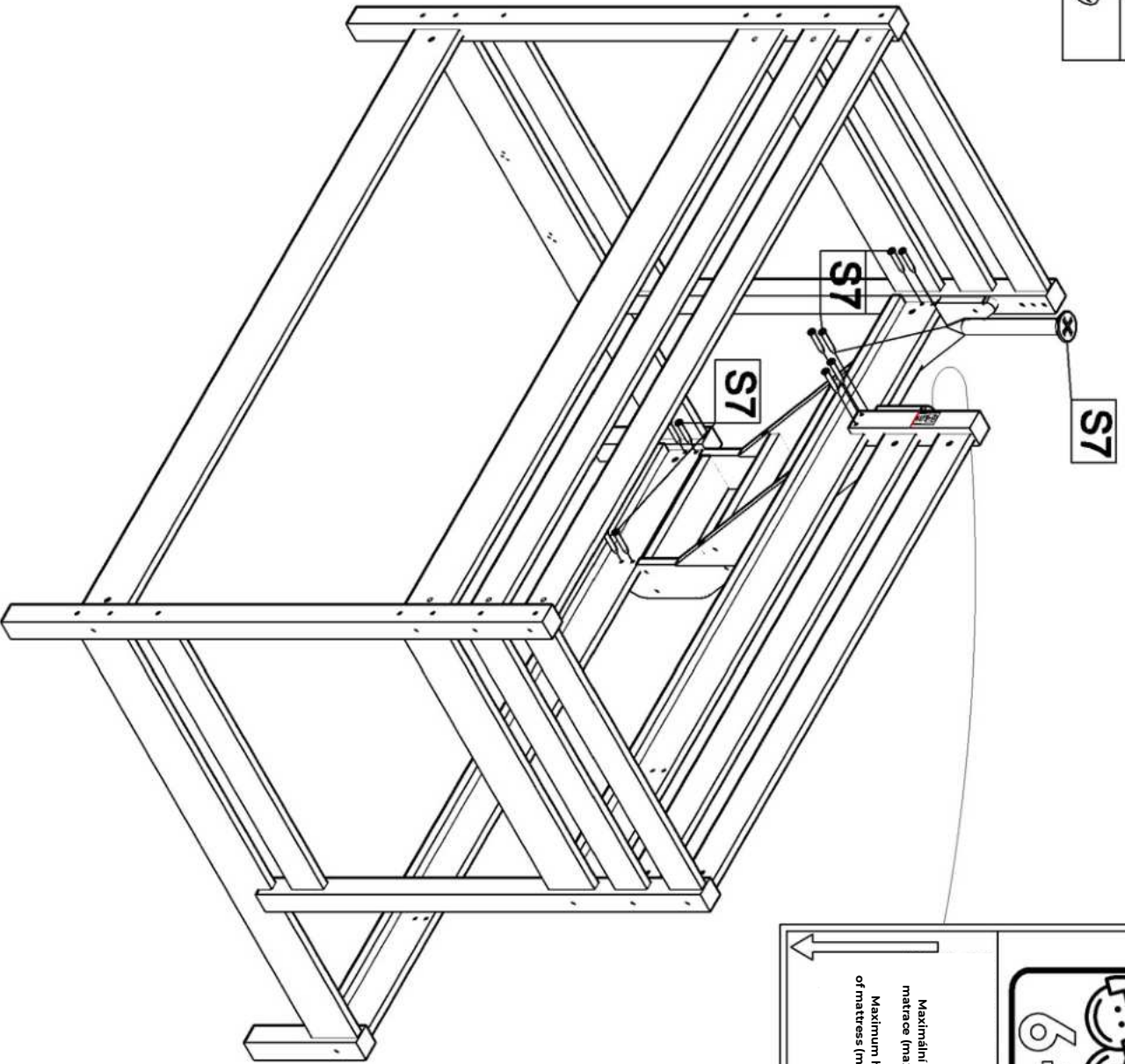


H4		x 4
J13		x 4
F2		x 1
M6 x 100 HEX 4 mm		











x 10
Ø4 X 50
S7



Maximální výška matrace (max. 18 cm) Maximum height of mattress (max. 18 cm)

14

B3	 40x40x40	X 2
S8	 Ø4x 60	X 4
S3	 Ø3,5x 16	X 6

D11	 Ø8	X 2
D9	 Ø10	X 4
S3	 Ø3,5x 16	X 4

